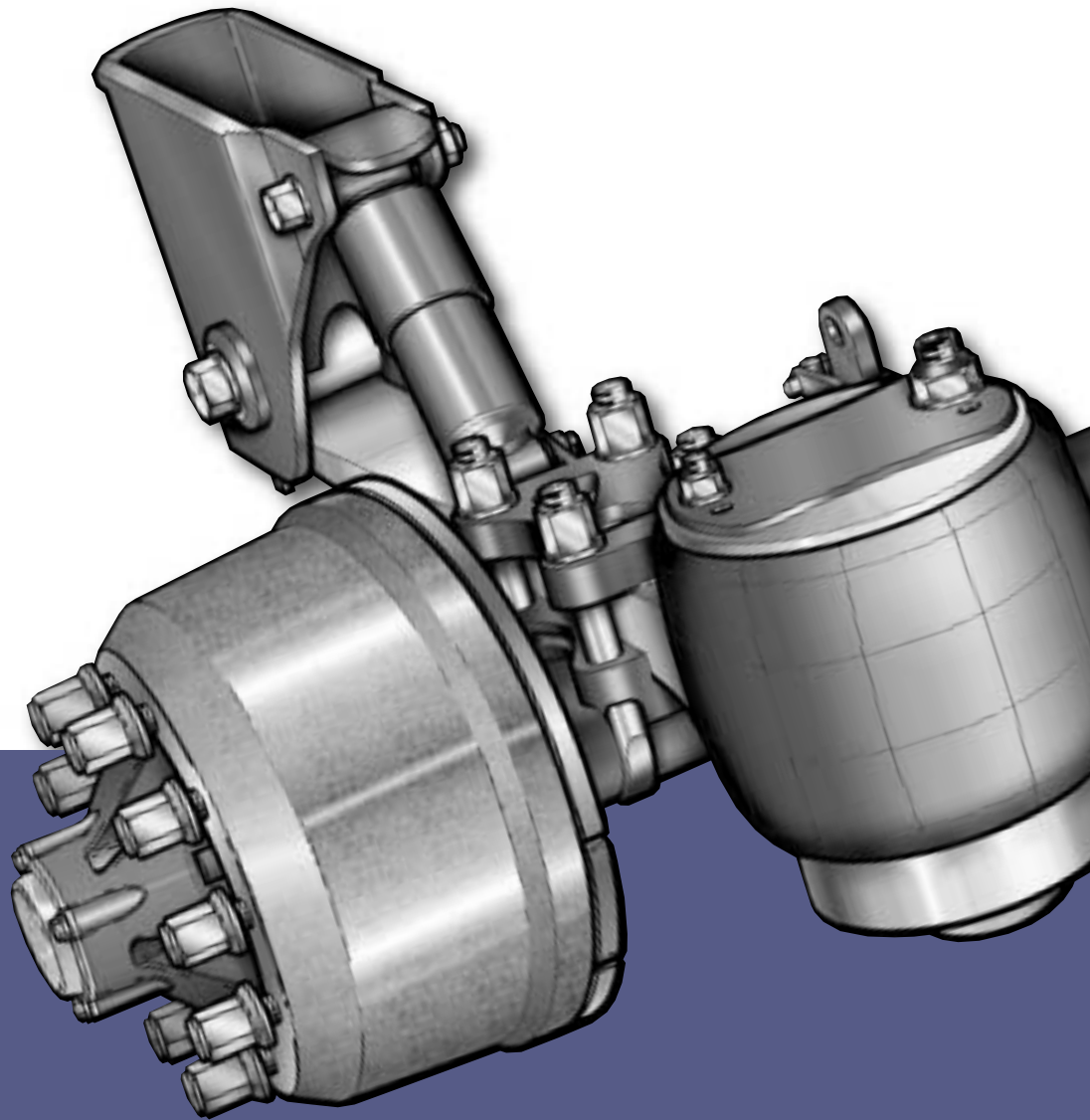




an **ArvinMeritor** brand

# Meritor Air Suspension Parts List

Flexlite XL9000, Flexair FL9000 & FL11000

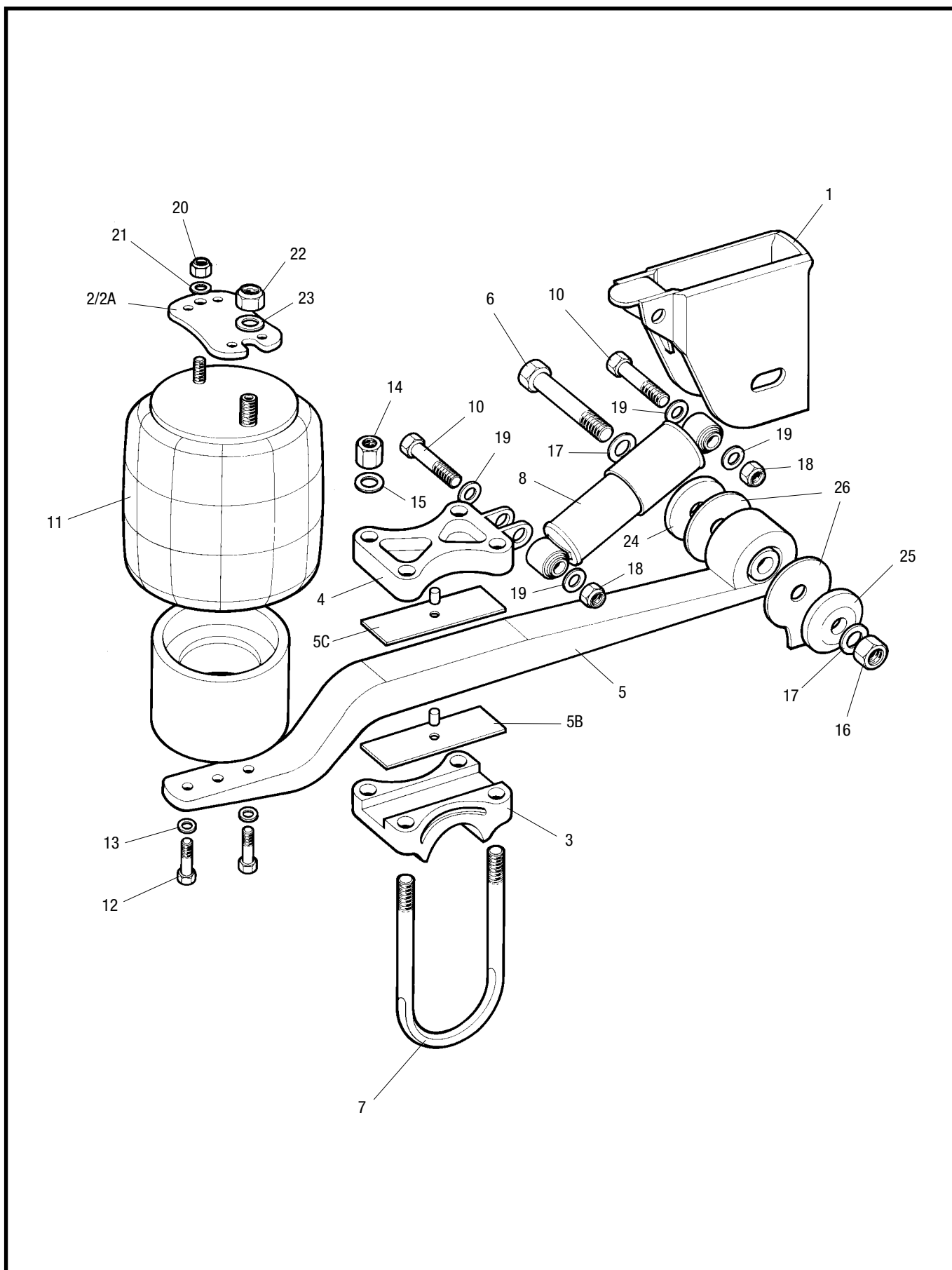


**ArvinMeritor**<sup>TM</sup>



an ArvinMeritor brand

# Flexlite XL9000



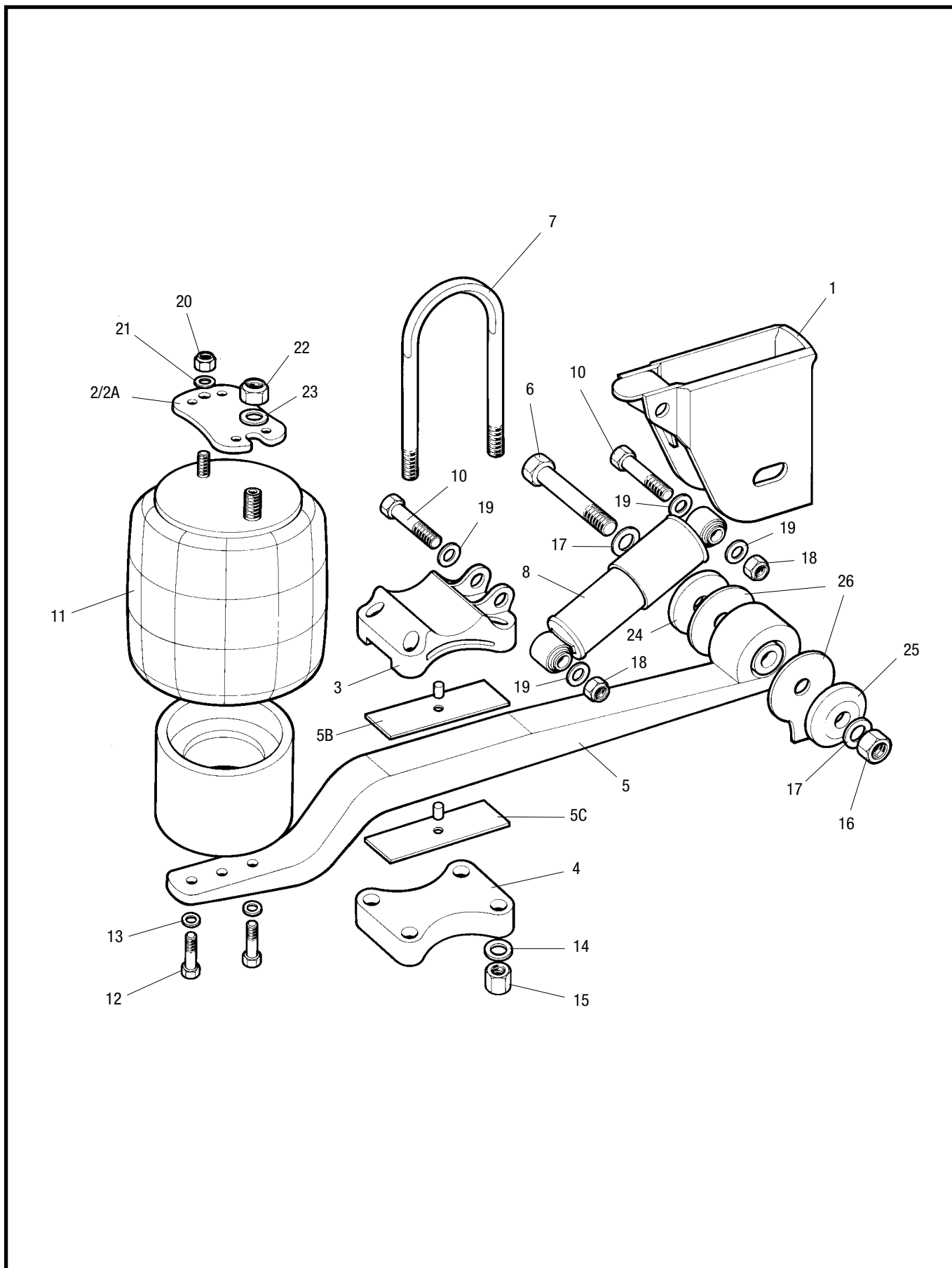
## Parts List XL9000

| Item | Description                      | Quantity | Part Number     | Remarks                            |
|------|----------------------------------|----------|-----------------|------------------------------------|
| 1    | Frame Mounting Bracket           | 1        | 21225133L - 36L | Tracked L/H, 375 - 450 Ride Height |
| 1    | Frame Mounting Bracket           | 1        | 21225133R - 36R | Tracked R/H, 375 - 450 Ride Height |
| 2    | Airspring Pedestal Plate         | 2        | 21222582        | 375 Ride Height                    |
| 2A   | Airspring Pedestal Assembly      | 2        | 21222583 - 85   | 400 - 450 Ride Height              |
| 3    | Spring Seat                      | 2        | 21225055        |                                    |
| 4    | U Bolt Plate                     | 2        | 21225057        |                                    |
| 5    | Trailing Arm Assembly (C/W Bush) | 2        | 21225102        |                                    |
| 5B   | Shim                             | 2        | 21225152        | Polymer                            |
| 5C   | Shim                             | 2        | 21225170        | Stainless Steel                    |
| 6    | Pivot Bolt                       | 2        | 21225155        | M24                                |
| 7    | U Bolt                           | 4        | 21225151        | M24                                |
| 8    | Damper                           | 2        | 21225104        | SP4 7T                             |
| 10   | Damper Bolt                      | 4        | 21225154        | M16                                |
| 11   | Airspring                        | 2        | 21222442        | MP7                                |
| 12   | Bolt                             | 4        | 99526002        | M12 x 55 GR 8.8 Zn                 |
| 13   | Washer                           | 4        | 99510003        | M12 Spring Zn                      |
| 14   | U Bolt Nut                       | 8        | 21222243        | M24 GR 8.0                         |
| 15   | U Bolt Washer                    | 8        | 21222923        | M24 Special Hardened               |
| 16   | Pivot Nut                        | 8        | 99527004        | M24 Nyloc GR 8.0 Zn                |
| 17   | Pivot Washer                     | 4        | 99513007        | M24 Plain                          |
| 18   | Damper Nut                       | 4        | 21225159        | M16 Nyloc GR 10.9 Zn               |
| 19   | Damper Washer                    | 4        | 21224978        | M16 Special Hardened               |
| 20   | Nut                              | 2        | 99527000        | M12 Nyloc GR 8.0 Zn                |
| 21   | Washer                           | 2        | 99513006        | M12 Zn                             |
| 22   | Nut                              | 2        | 99528000        | M22 Thin Zn                        |
| 23   | Washer                           | 2        | 99510004        | M22 Spring Zn                      |
| 24   | Tracking Bush                    | 2        | 21225156        | Eccentric                          |
| 25   | Tracking Bush                    | 2        | 21225157        | Concentric                         |
| 26   | Wear Plate                       | 4        | 21225162        |                                    |



an ArvinMeritor brand

# Flexlite XL9000L





an ArvinMeritor brand

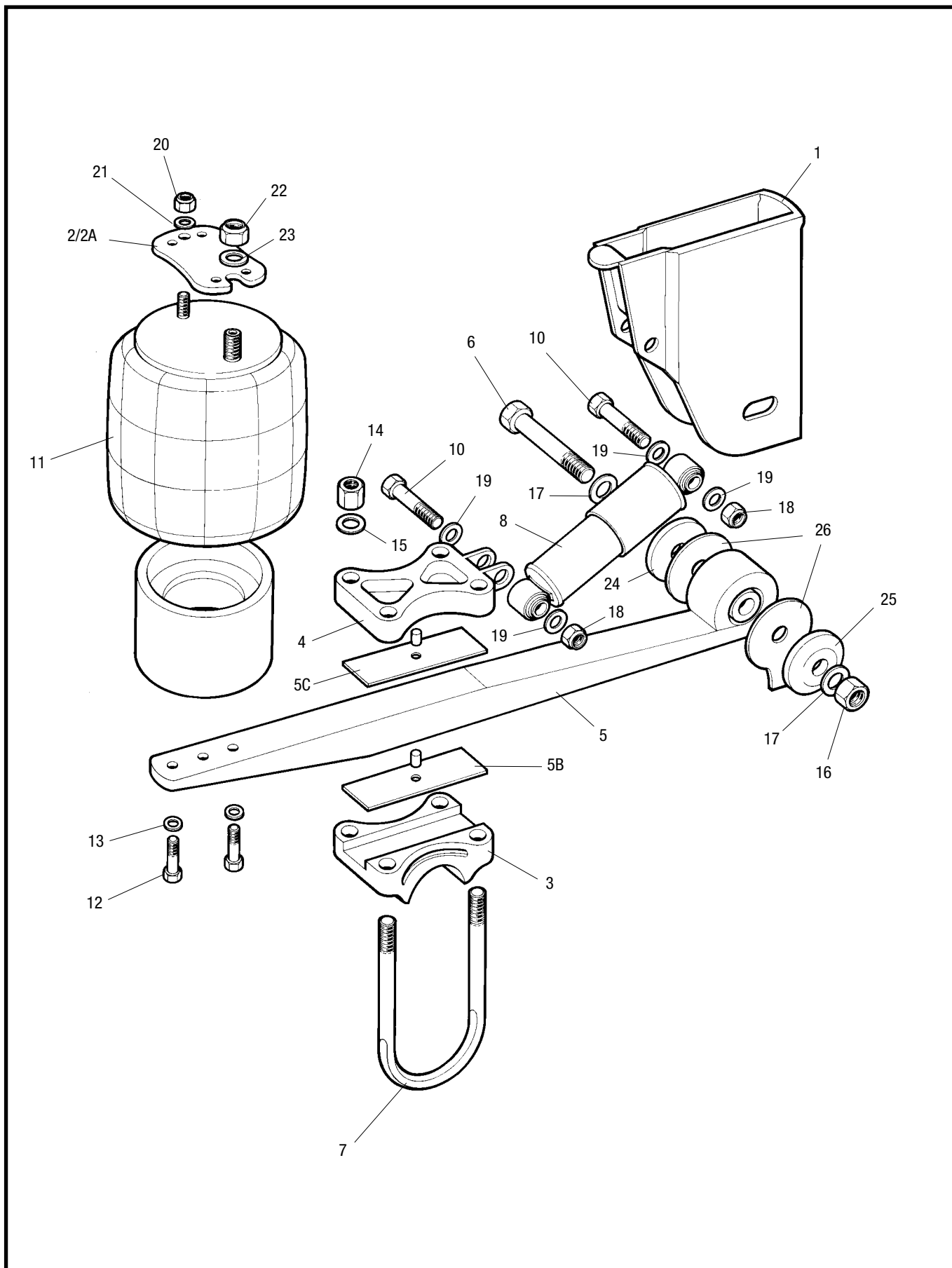
## Parts List XL9000L

| Item | Description                      | Quantity | Part Number     | Remarks                            |
|------|----------------------------------|----------|-----------------|------------------------------------|
| 1    | Frame Mounting Bracket           | 1        | 21225133L - 37L | Tracked L/H, 150 - 250 Ride Height |
| 1    | Frame Mounting Bracket           | 1        | 21225133R - 37R | Tracked R/H, 150 - 250 Ride Height |
| 2    | Airspring Pedestal Plate         | 2        | 21222582        | 150 Ride Height                    |
| 2A   | Airspring Pedestal Assembly      | 2        | 21222583 - 86   | 175 - 250 Ride Height              |
| 3    | Spring Seat                      | 2        | 21225054        |                                    |
| 4    | U Bolt Plate                     | 2        | 21225056        |                                    |
| 5    | Trailing Arm Assembly (C/W Bush) | 2        | 21225102        |                                    |
| 5B   | Shim                             | 2        | 21225152        | Polymer                            |
| 5C   | Shim                             | 2        | 21225170        | Stainless Steel                    |
| 6    | Pivot Bolt                       | 2        | 21225155        | M24 x 200                          |
| 7    | U Bolt                           | 4        | 21225151        | M24                                |
| 8    | Damper                           | 2        | 21225104        | SP4 7T                             |
| 10   | Damper Bolt                      | 4        | 21225154        | M16                                |
| 11   | Airspring                        | 2        | 21222442        | MP7                                |
| 12   | Bolt                             | 4        | 99526002        | M12 x 55 GR 8.8 Zn                 |
| 13   | Washer                           | 4        | 99510003        | M12 Spring Zn                      |
| 14   | U Bolt Nut                       | 8        | 21222243        | M24 GR 8.0                         |
| 15   | U Bolt Washer                    | 8        | 21222923        | M24 Special Hardened               |
| 16   | Pivot Nut                        | 8        | 99527004        | M24 Nyloc GR 8.0 Zn                |
| 17   | Pivot Washer                     | 4        | 99513007        | M24 Plain                          |
| 18   | Damper Nut                       | 4        | 21225159        | M16 Nyloc GR 10.9 Zn               |
| 19   | Damper Washer                    | 4        | 21224978        | M16 Special Hardened               |
| 20   | Nut                              | 2        | 99527000        | M12 Nyloc GR 8.0 Zn                |
| 21   | Washer                           | 2        | 99513006        | M12 Zn                             |
| 22   | Nut                              | 2        | 99528000        | M22 Thin Zn                        |
| 23   | Washer                           | 2        | 99510004        | M22 Spring Zn                      |
| 24   | Tracking Bush                    | 2        | 21225156        | Eccentric                          |
| 25   | Tracking Bush                    | 2        | 21225157        | Concentric                         |
| 26   | Wear Plate                       | 4        | 21225162        |                                    |



an ArvinMeritor brand

# Flexlite XL9000H



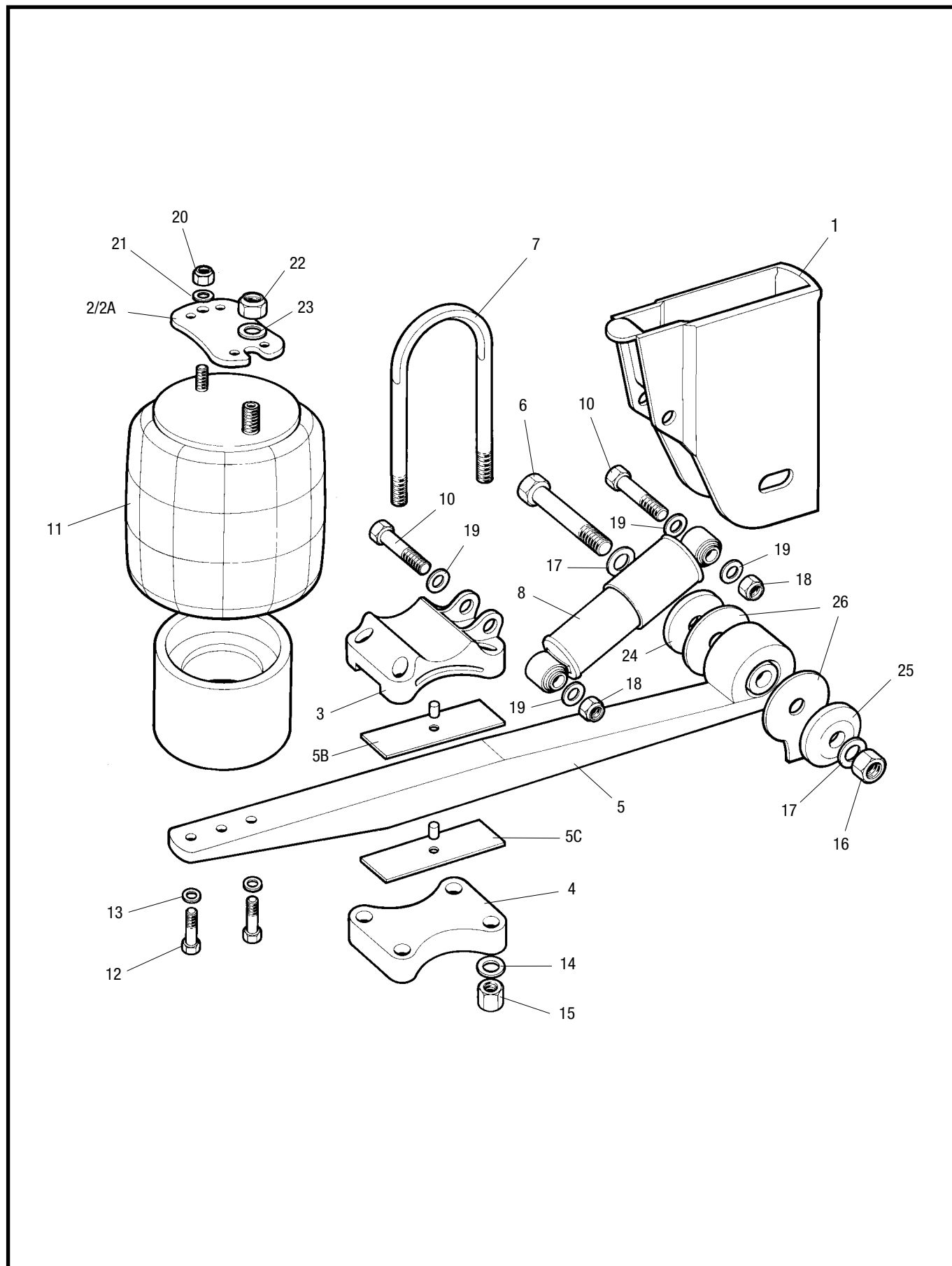
## Parts List XL9000H

| Item | Description                      | Quantity | Part Number     | Remarks                            |
|------|----------------------------------|----------|-----------------|------------------------------------|
| 1    | Frame Mounting Bracket           | 1        | 21225137L - 40L | Tracked L/H, 475 - 550 Ride Height |
| 1    | Frame Mounting Bracket           | 1        | 21225137R - 40R | TrackedR/H, 475 - 550 Ride Height  |
| 2    | Airspring Pedestal Plate         | 2        | 21222582        | 475 Ride Height                    |
| 2A   | Airspring Pedestal Assembly      | 2        | 21222583 - 85   | 500 - 550 Ride Height              |
| 3    | Spring Seat                      | 2        | 21225055        |                                    |
| 4    | U Bolt Plate                     | 2        | 21225057        |                                    |
| 5    | Trailing Arm Assembly (C/W Bush) | 2        | 21225354        |                                    |
| 5B   | Shim                             | 2        | 21225152        | Polymer                            |
| 5C   | Shim                             | 2        | 21225170        | Stainless Steel                    |
| 6    | Pivot Bolt                       | 2        | 21225155        | M24 x 200                          |
| 7    | U Bolt                           | 4        | 21225151        | M24                                |
| 8    | Damper                           | 2        | 21225104        | SP4 7T                             |
| 10   | Damper Bolt                      | 4        | 21225154        | M16                                |
| 11   | Airspring                        | 2        | 21222442        | MP7                                |
| 12   | Bolt                             | 4        | 99526002        | M12 x 55 GR 8.8 Zn                 |
| 13   | Washer                           | 4        | 99510003        | M12 Spring Zn                      |
| 14   | U Bolt Nut                       | 8        | 21222243        | M24 GR 8.0                         |
| 15   | U Bolt Washer                    | 8        | 21222923        | M24 Special Hardened               |
| 16   | Pivot Nut                        | 8        | 99527004        | M24 Nyloc GR 8.0 Zn                |
| 17   | Pivot Washer                     | 4        | 99513007        | M24 Plain                          |
| 18   | Damper Nut                       | 4        | 21225159        | M16 Nyloc GR 10.9 Zn               |
| 19   | Damper Washer                    | 4        | 21224978        | M16 Special Hardened               |
| 20   | Nut                              | 2        | 99527000        | M12 Nyloc GR 8.0 Zn                |
| 21   | Washer                           | 2        | 99513006        | M12 Zn                             |
| 22   | Nut                              | 2        | 99528000        | M22 Thin Zn                        |
| 23   | Washer                           | 2        | 99510004        | M22 Spring Zn                      |
| 24   | Tracking Bush                    | 2        | 21225156        | Eccentric                          |
| 25   | Tracking Bush                    | 2        | 21225157        | Concentric                         |
| 26   | Wear Plate                       | 4        | 21224386        |                                    |



an ArvinMeritor brand

# Flexlite XL9000HL







an ArvinMeritor brand

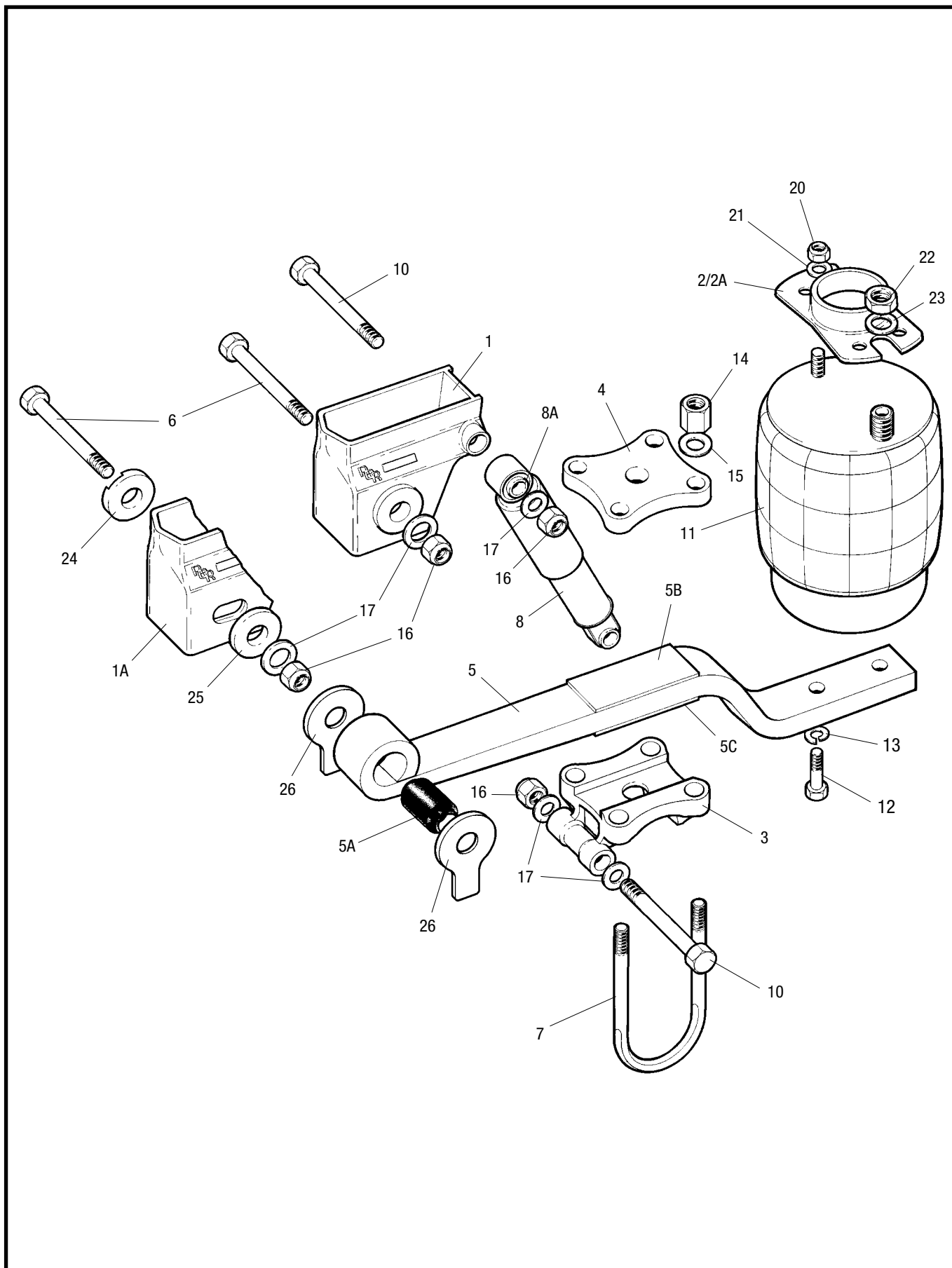
## Parts List XL9000HL

| Item | Description                      | Quantity | Part Number     | Remarks                            |
|------|----------------------------------|----------|-----------------|------------------------------------|
| 1    | Frame Mounting Bracket           | 1        | 21225133L - 37L | Tracked L/H, 250 - 350 Ride Height |
| 1    | Frame Mounting Bracket           | 1        | 21225133R - 37R | Tracked R/H, 250 - 350 Ride Height |
| 2    | Airspring Pedestal Plate         | 2        | 21222582        | 250 Ride Height                    |
| 2A   | Airspring Pedestal Assembly      | 2        | 21222583 - 86   | 275 - 350 Ride Height              |
| 3    | Spring Seat                      | 2        | 21225054        |                                    |
| 4    | U Bolt Plate                     | 2        | 21225056        |                                    |
| 5    | Trailing Arm Assembly (C/W Bush) | 2        | 21225354        |                                    |
| 5B   | Shim                             | 2        | 21225152        | Polymer                            |
| 5C   | Shim                             | 2        | 21225170        | Stainless Steel                    |
| 6    | Pivot Bolt                       | 2        | 21225155        | M24 x 200                          |
| 7    | U Bolt                           | 4        | 21225151        | M24                                |
| 8    | Damper                           | 2        | 21225104        | SP4 7T                             |
| 10   | Damper Bolt                      | 4        | 21225154        | M16                                |
| 11   | Airspring                        | 2        | 21222442        | MP7                                |
| 12   | Bolt                             | 4        | 99526002        | M12 x 55 GR 8.8 Zn                 |
| 13   | Washer                           | 4        | 99510003        | M12 Spring Zn                      |
| 14   | U Bolt Nut                       | 8        | 21222243        | M24 GR 8.0                         |
| 15   | U Bolt Washer                    | 8        | 21222923        | M24 Special Hardened               |
| 16   | Pivot Nut                        | 8        | 99527004        | M24 Nyloc GR 8.0 Zn                |
| 17   | Pivot Washer                     | 4        | 99513007        | M24 Plain                          |
| 18   | Damper Nut                       | 4        | 21225159        | M16 Nyloc GR 10.9 Zn               |
| 19   | Damper Washer                    | 4        | 21224978        | M16 Special Hardened               |
| 20   | Nut                              | 2        | 99527000        | M12 Nyloc GR 8.0 Zn                |
| 21   | Washer                           | 2        | 99513006        | M12 Zn                             |
| 22   | Nut                              | 2        | 99528000        | M22 Thin Zn                        |
| 23   | Washer                           | 2        | 99510004        | M22 Spring Zn                      |
| 24   | Tracking Bush                    | 2        | 21225156        | Eccentric                          |
| 25   | Tracking Bush                    | 2        | 21225157        | Concentric                         |
| 26   | Wear Plate                       | 4        | 21225162        |                                    |



an ArvinMeritor brand

# Flexair FL9000NB



## Parts List FL9000NB

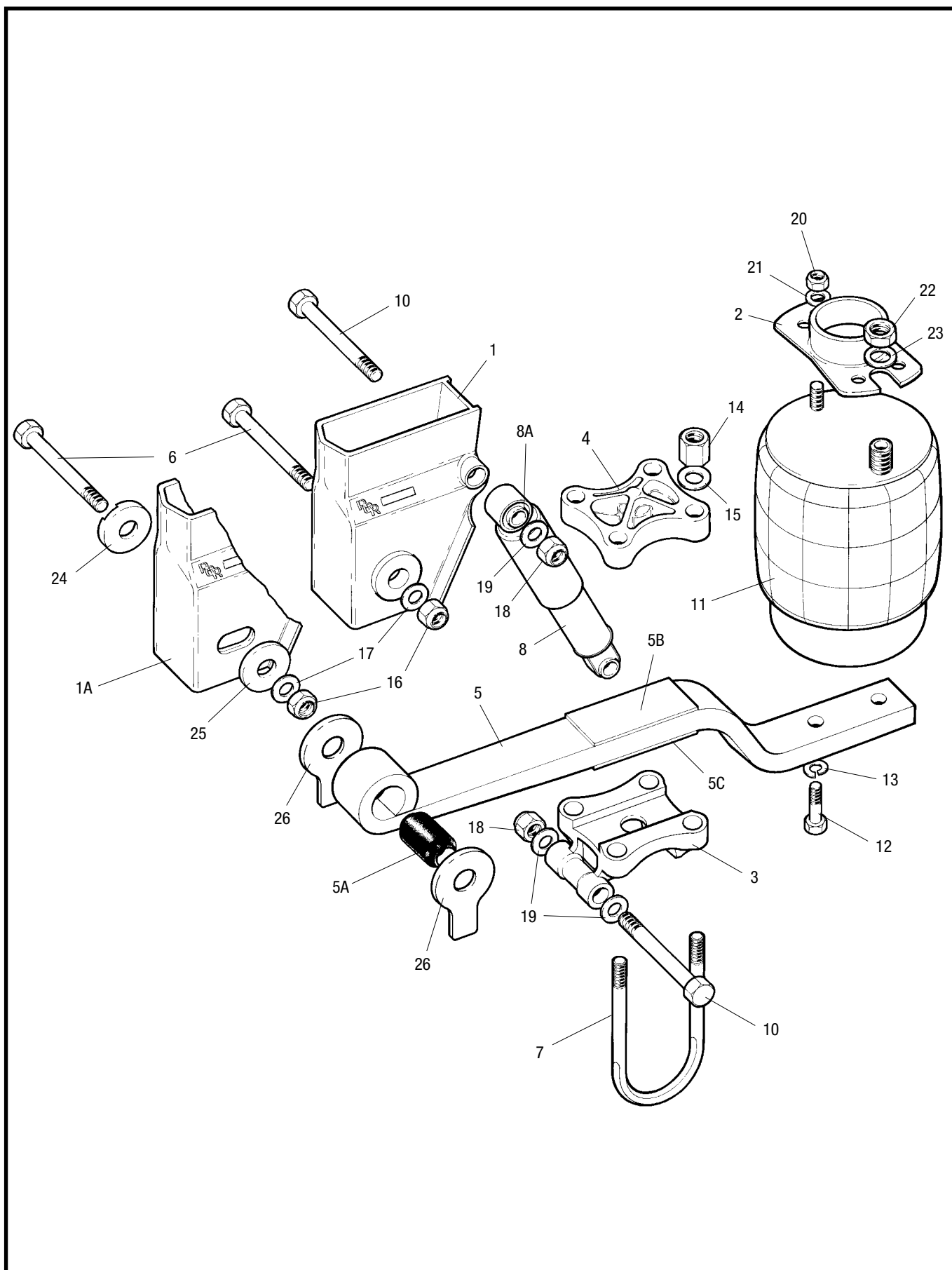
| Item | Description                      | Quantity | Part Number     | Remarks                            |
|------|----------------------------------|----------|-----------------|------------------------------------|
| 1    | Frame Mounting Bracket           | 2        | 21224781 - 83   | Untracked, 310 - 350 Ride Height   |
| 1A   | Frame Mounting Bracket           | 1        | 21224781L - 83L | Tracked L/H, 310 - 350 Ride Height |
| 1A   | Frame Mounting Bracket           | 1        | 21224781R - 83R | Tracked R/H, 310 - 350 Ride Height |
| 1    | Frame Mounting Bracket           | 2        | 21226414 - 16   | Untracked, 375 - 425 Ride Height   |
| 1A   | Frame Mounting Bracket           | 1        | 21226414L - 16L | Tracked L/H, 375 - 425 Ride Height |
| 1A   | Frame Mounting Bracket           | 1        | 21226414R - 16R | Tracked R/H, 375 - 425 Ride Height |
| 1    | Frame Mounting Bracket           | 2        | 21227231 - 32   | Untracked, 450 - 475 Ride Height   |
| 1A   | Frame Mounting Bracket           | 1        | 21227231L - 32L | Tracked L/H, 450 - 475 Ride Height |
| 1A   | Frame Mounting Bracket           | 1        | 21227231R - 32R | Tracked R/H, 450 - 475 Ride Height |
| 2    | Airspring Pedestal Assembly      | 2        | 21224614        | 350 Ride Height only               |
| 2A   | Airspring Pedestal Assembly      | 2        | 21226421 - 23   | 375 - 425 Ride Height              |
| 2A   | Airspring Pedestal Assembly      | 2        | 21227233 - 34   | 450 - 475 Ride Height              |
| 3    | Spring Seat                      | 2        | 21222399        |                                    |
| 4    | U Bolt Plate                     | 2        | 21222395N       |                                    |
| 5    | Trailing Arm Assembly (C/W Bush) | 2        | 21224664        |                                    |
| 5A   | Pivot Bush                       | 2        | 21224663        |                                    |
| 5B   | Shim                             | 2        | 21222330        | Galvanised 3mm Top                 |
| 5C   | Shim                             | 2        | 21222329        | Galvanised 3mm Bot-Ø25 Hole        |
| 6    | Pivot Bolt                       | 2        | 21222230        | M24 x 195 GR 8.8 Olive             |
| 7    | U Bolt                           | 4        | 21223928        | M24 x 269                          |
| 8    | Damper                           | 2        | 21224778        |                                    |
| 8A   | Damper Bush                      | 4        | 21224754        | For use with above Damper          |
| 10   | Damper Bolt                      | 4        | 21222231        | M24 x 250 GR 8.8 Olive             |
| 11   | Airspring                        | 2        | 21222442        | MP7, 0° Rotation                   |
| 11   | Airspring                        | 2        | 21223874        | MP7, 45° Rotation                  |
| 11   | Airspring                        | 2        | 21224818L       | MP7, 60° Rotation L/H              |
| 11   | Airspring                        | 2        | 21224818R       | MP7, 60° Rotation R/H              |
| 12   | Bolt                             | 4        | 99526002        | M12 x 55 GR 8.8 Zn                 |
| 13   | Washer                           | 6        | 99510003        | M12 Spring Zn                      |
| 14   | U Bolt Nut                       | 8        | 21222243        | M24 Special U Bolt Plain           |
| 15   | U Bolt Washer                    | 8        | 21222923        | M24 Special Hardened               |
| 16   | Pivot/Damper Nut                 | 6        | 99527004        | M24 GR 8.0 Nyloc Zn                |
| 17   | Pivot/Damper Washer              | 8        | 99513007        | M24 Plain                          |
| 20   | Nut                              | 2        | 99512007        | M12 GR 8.0 Zn                      |
| 21   | Washer                           | 2        | 99513006        | M12 Zn                             |
| 22   | Nut                              | 2        | 99528000        | M22 Thin Zn                        |
| 23   | Washer                           | 2        | 99510004        | M22 Spring Zn                      |
| 24   | Tracking Bush                    | 2        | 21225156        | Eccentric*                         |
| 25   | Tracking Bush                    | 2        | 21225157        | Concentric*                        |
| 26   | Wear Washer                      | 4        | 21224386        | Tracked or Untracked               |

\* If the pivot eye tracking is not fitted then tracking bushes are not supplied as they are prewelded to the frame mounting brackets.



an ArvinMeritor brand

# Flexair FL9000



## Parts List FL9000

| Item | Description                                     | Quantity | Part Number     | Remarks                            |
|------|---|----------|-----------------|------------------------------------|
| 1    | Frame Mounting Bracket <sup>(1)</sup>           | 2        | 21222370 - 74   | Untracked, 375 - 475 Ride Height   |
| 1A   | Frame Mounting Bracket <sup>(1)</sup>           | 1        | 21222370L - 74L | Tracked L/H, 375 - 475 Ride Height |
| 1A   | Frame Mounting Bracket <sup>(1)</sup>           | 1        | 21222370R - 74R | Tracked R/H, 375 - 475 Ride Height |
| 1    | Frame Mounting Bracket <sup>(2)</sup>           | 2        | 21222735 - 42   | Untracked, 375 - 550 Ride Height   |
| 1A   | Frame Mounting Bracket <sup>(2)</sup>           | 1        | 21222735L - 42L | Tracked L/H, 375 - 550 Ride Height |
| 1A   | Frame Mounting Bracket <sup>(2)</sup>           | 1        | 21222735R - 42R | Tracked R/H, 375 - 550 Ride Height |
| 1    | Frame Mounting Bracket <sup>(3)</sup>           | 2        | 21224634 - 41   | Untracked, 375 - 550 Ride Height   |
| 1A   | Frame Mounting Bracket <sup>(3)</sup>           | 1        | 21224634L - 41L | Tracked L/H, 375 - 550 Ride Height |
| 1A   | Frame Mounting Bracket <sup>(3)</sup>           | 1        | 21224634R - 41R | Tracked R/H, 375 - 550 Ride Height |
| 2    | Airspring Pedestal Assembly                     | 2        | 21222582 - 89   | 375 - 550 Ride Height              |
| 3    | Spring Seat                                     | 2        | 21222399        |                                    |
| 4    | U Bolt Plate (Cast)                             | 2        | 21222395        |                                    |
| 5    | Trailing Arm Assembly (C/W Bush)                | 2        | 21222247        | M30 Bush                           |
| 5    | Trailing Arm Assembly (C/W Bush) <sup>(3)</sup> | 2        | 21224664        | M24 Bush                           |
| 5A   | Pivot Bush <sup>(1)(2)</sup>                    | 2        | 21222609        | M30 Pivot Bolt                     |
| 5A   | Pivot Bush <sup>(3)</sup>                       | 2        | 21224663        | M24 Pivot Bolt                     |
| 5B   | Shim  | 2        | 21222330        | Galvanised 3mm Top                 |
| 5C   | Shim  | 2        | 21222329        | Galvanised 3mm Bot-Ø25 Hole        |
| 6    | Pivot Bolt                                      | 2        | 21222234        | M30 x 200 GR 8.8 Olive             |
| 6    | Pivot Bolt <sup>(3)</sup>                       | 2        | 21222230        | M24 x 195 GR 8.8 Olive             |
| 7    | U Bolt (Cast Plate)                             | 4        | 21222327        | M24 x 280                          |
| 8    | Damper  | 2        | 21224745        | SP4 - 7T                           |
| 8A   | Damper Bush                                     | 4        | 21214754        | For use with above Damper          |
| 10   | Damper Bolt                                     | 4        | 21222231        | M24 x 250 GR 8.8 Olive             |
| 11   | Airspring                                       | 2        | 21222442        | MP7                                |
| 12   | Bolt  | 4        | 99526002        | M12 x 55 GR 8.8 Zn                 |
| 13   | Washer  | 4        | 99510003        | M12 Spring Zn                      |
| 14   | U Bolt Nut                                      | 8        | 21222243        | M24 Special U Bolt Plain           |
| 15   | U Bolt Washer                                   | 8        | 21222923        | M24 Special Hardened               |
| 16   | Pivot Nut                                       | 2        | 99527003        | M30 Nyloc GR 8.0 Zn                |
| 16   | Pivot Nut <sup>(3)</sup>                        | 2        | 99527004        | M24 Nyloc GR 8.0 Zn                |
| 17   | Pivot Washer                                    | 2        | 99513008        | M30 Plain                          |
| 17   | Pivot Washer <sup>(3)</sup>                     | 2        | 99513007        | M24 Plain                          |
| 18   | Damper Nut                                      | 4        | 99527004        | M24 Nyloc GR 8.0 Zn                |
| 19   | Damper Washer                                   | 6        | 99513007        | M24 Plain                          |
| 20   | Nut   | 2        | 99527000        | M12 Nyloc GR 8.0 Zn                |
| 21   | Washer  | 2        | 99513006        | M12 Zn                             |
| 22   | Nut   | 2        | 99528000        | M22 Thin Zn                        |
| 23   | Washer  | 2        | 99510004        | M22 Spring Zn                      |
| 24   | Tracking Bush                                   | 2        | 21222221        | Eccentric* - M30                   |
| 24   | Tracking Bush <sup>(3)</sup>                    | 2        | 21225156        | Eccentric* - M24                   |
| 25   | Tracking Bush                                   | 2        | 21222287        | Concentric* - M30                  |
| 25   | Tracking Bush <sup>(3)</sup>                    | 2        | 21225157        | Concentric* - M24                  |
| 26   | Wear Plate                                      | 4        | 21222223        | Tracked - M30                      |
| 26   | Wear Plate                                      | 4        | 21222690        | Untracked - M30                    |
| 26   | Wear Plate <sup>(3)</sup>                       | 4        | 21224386        | Tracked - M24                      |

<sup>(1)</sup> Before April 1993

<sup>(2)</sup> April 1993 to June 2000

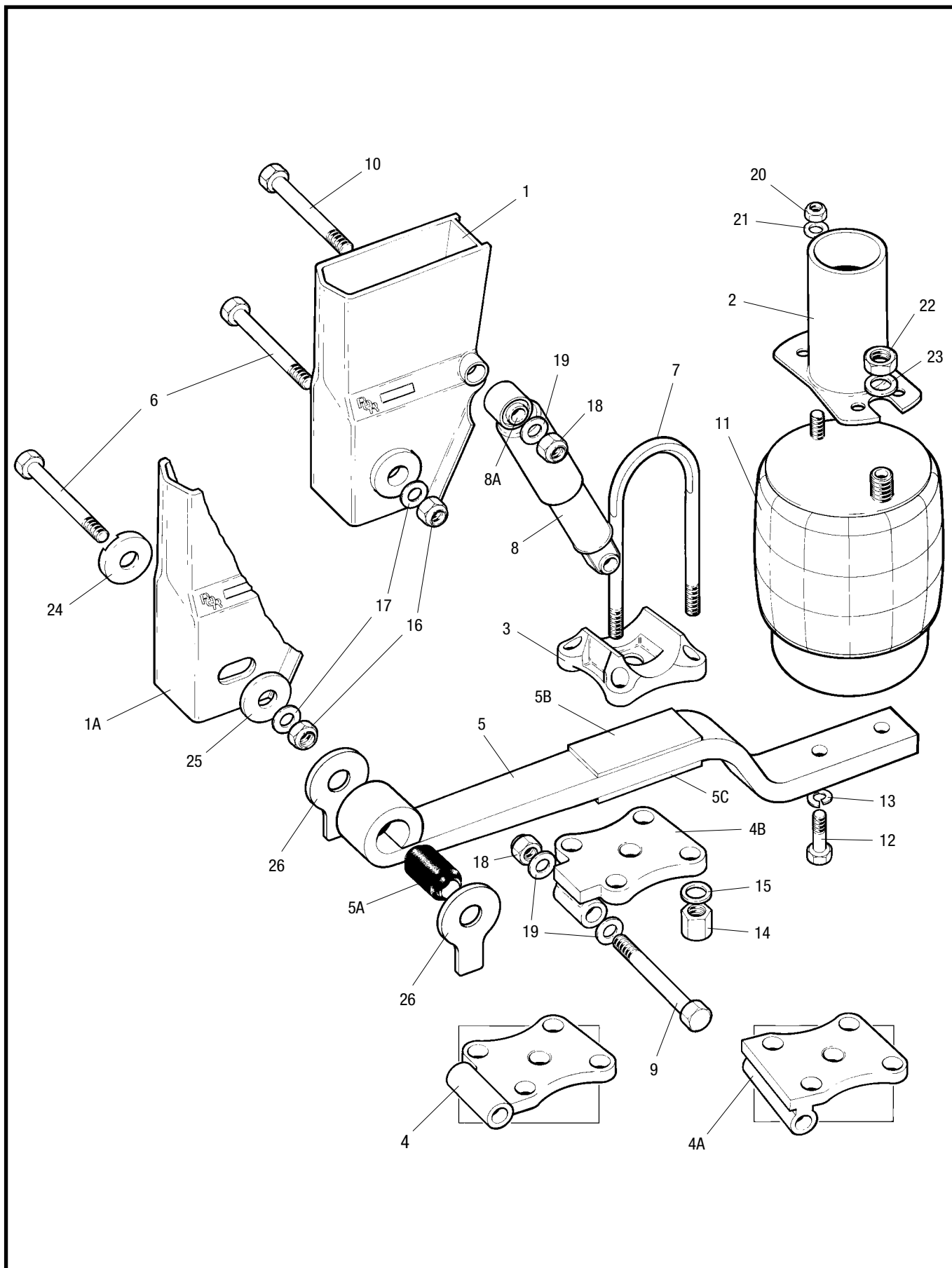
<sup>(3)</sup> After Dec 2000

\* If the pivot eye tracking is not fitted then tracking bushes are not supplied as they are prewelded to the frame mounting brackets.



an ArvinMeritor brand

# Flexair FL9000L



# Parts List FL9000L

| Item | Description                                     | Quantity | Part Number     | Remarks                            |
|------|---|----------|-----------------|------------------------------------|
| 1    | Frame Mounting Bracket <sup>(1)</sup>           | 2        | 21221981 - 88   | Untracked, 200 - 375 Ride Height   |
| 1A   | Frame Mounting Bracket <sup>(1)</sup>           | 1        | 21221981L - 88L | Tracked L/H, 200 - 375 Ride Height |
| 1A   | Frame Mounting Bracket <sup>(1)</sup>           | 1        | 21221981R - 88R | Tracked R/H, 200 - 375 Ride Height |
| 1    | Frame Mounting Bracket <sup>(2)</sup>           | 2        | 21222736-43     | Untracked, 200 - 375 Ride Height   |
| 1A   | Frame Mounting Bracket <sup>(2)</sup>           | 1        | 21222736L-43L   | Tracked L/H, 200 - 375 Ride Height |
| 1A   | Frame Mounting Bracket <sup>(2)</sup>           | 1        | 21222736R-43R   | Tracked R/H, 200 - 375 Ride Height |
| 1    | Frame Mounting Bracket <sup>(3)</sup>           | 2        | 21224635 - 42   | Untracked, 200 - 375 Ride Height   |
| 1A   | Frame Mounting Bracket <sup>(3)</sup>           | 1        | 21224635L - 42L | Tracked L/H, 200 - 375 Ride Height |
| 1A   | Frame Mounting Bracket <sup>(3)</sup>           | 1        | 21224635R - 42R | Tracked R/H, 200 - 375 Ride Height |
| 2    | Airspring Pedestal Assembly                     | 2        | 21222584 - 91   | 200 - 375 Ride Height              |
| 3    | Spring Seat                                     | 2        | 21222262        |                                    |
| 4    | U Bolt Plate                                    | 2        | 21222580        |                                    |
| 4A   | U Bolt Plate                                    | 2        | 21223003        | Post April 93, Non Handed          |
| 4B   | U Bolt Plate L/H                                | 1        | 21223646L       | Post November 94, Handed           |
| 4B   | U Bolt Plate R/H                                | 1        | 21223646R       | Post November 94, Handed           |
| 5    | Trailing Arm Assembly (C/W Bush)                | 2        | 21222247        | M30 Bush                           |
| 5    | Trailing Arm Assembly (C/W Bush) <sup>(3)</sup> | 2        | 21224664        | M24 Bush                           |
| 5A   | Pivot Bush                                      | 2        | 21222609        | M30 Pivot Bolt                     |
| 5A   | Pivot Bush <sup>(3)</sup>                       | 2        | 21224663        | M24 Pivot Bolt                     |
| 5B   | Shim  | 2        | 21222906        | Lipped 3mm Top Galvanised          |
| 5C   | Packing Plate                                   | 2        | 21222621        | 10mm Bot-Ø25 Hole                  |
| 6    | Pivot Bolt                                      | 2        | 21222234        | M30 x 200 GR 8.8 Olive             |
| 6    | Pivot Bolt <sup>(3)</sup>                       | 4        | 21222230        | M24 x 195 GR 8.8 Olive             |
| 7    | U Bolt  | 4        | 21222327        | M24 x 280                          |
| 8    | Damper  | 2        | 21224745        | SP4 7T                             |
| 8A   | Damper Bush                                     | 4        | 21214754        | For use with above Damper          |
| 9    | Damper Bolt - Bottom                            | 2        | 21222230        | M24 x 195 GR 8.8 Olive             |
| 10   | Damper Bolt - Top                               | 2        | 21222231        | M24 x 250 GR 8.8 Olive             |
| 11   | Airspring                                       | 2        | 21222442        | MP7                                |
| 12   | Bolt  | 4        | 99526002        | M12 x 55 GR 8.8 Zn                 |
| 13   | Washer  | 4        | 99510003        | M12 Spring Zn                      |
| 14   | U Bolt Nut                                      | 8        | 21222243        | M24 Special U Bolt Plain           |
| 15   | U Bolt Washer                                   | 8        | 21222923        | M24 Special Hardened               |
| 16   | Pivot Nut                                       | 2        | 99527003        | M30 Nyloc GR 8.0 Zn                |
| 16   | Pivot Nut <sup>(3)</sup>                        | 2        | 99527004        | M24 Nyloc GR 8.0 Zn                |
| 17   | Pivot Washer                                    | 2        | 99513008        | M30 Plain                          |
| 17   | Pivot Washer <sup>(3)</sup>                     | 2        | 99513007        | M24 Plain                          |
| 18   | Damper Nut                                      | 4        | 99527004        | M24 Nyloc GR 8.0 Zn                |
| 19   | Damper Washer                                   | 6        | 99513007        | M24 Plain                          |
| 20   | Nut   | 2        | 99527000        | M12 Nyloc GR 8.0 Zn                |
| 21   | Washer  | 2        | 99513006        | M12 Zn                             |
| 22   | Nut   | 2        | 99528000        | M22 Thin Zn                        |
| 23   | Washer  | 2        | 99510004        | M22 Spring Zn                      |
| 24   | Tracking Bush                                   | 2        | 21222221        | Eccentric* - M30                   |
| 24   | Tracking Bush <sup>(3)</sup>                    | 2        | 21225156        | Eccentric* - M24                   |
| 25   | Tracking Bush                                   | 2        | 21222287        | Concentric* - M30                  |
| 25   | Tracking Bush <sup>(3)</sup>                    | 2        | 21225157        | Concentric* - M24                  |
| 26   | Wear Plate                                      | 4        | 21222223        | Tracked - M30                      |
| 26   | Wear Plate                                      | 4        | 21222690        | Untracked - M30                    |
| 26   | Wear Plate <sup>(3)</sup>                       | 4        | 21224386        | Tracked - M24                      |

<sup>(1)</sup> Before April 1993

<sup>(2)</sup> April 1993 to June 2000

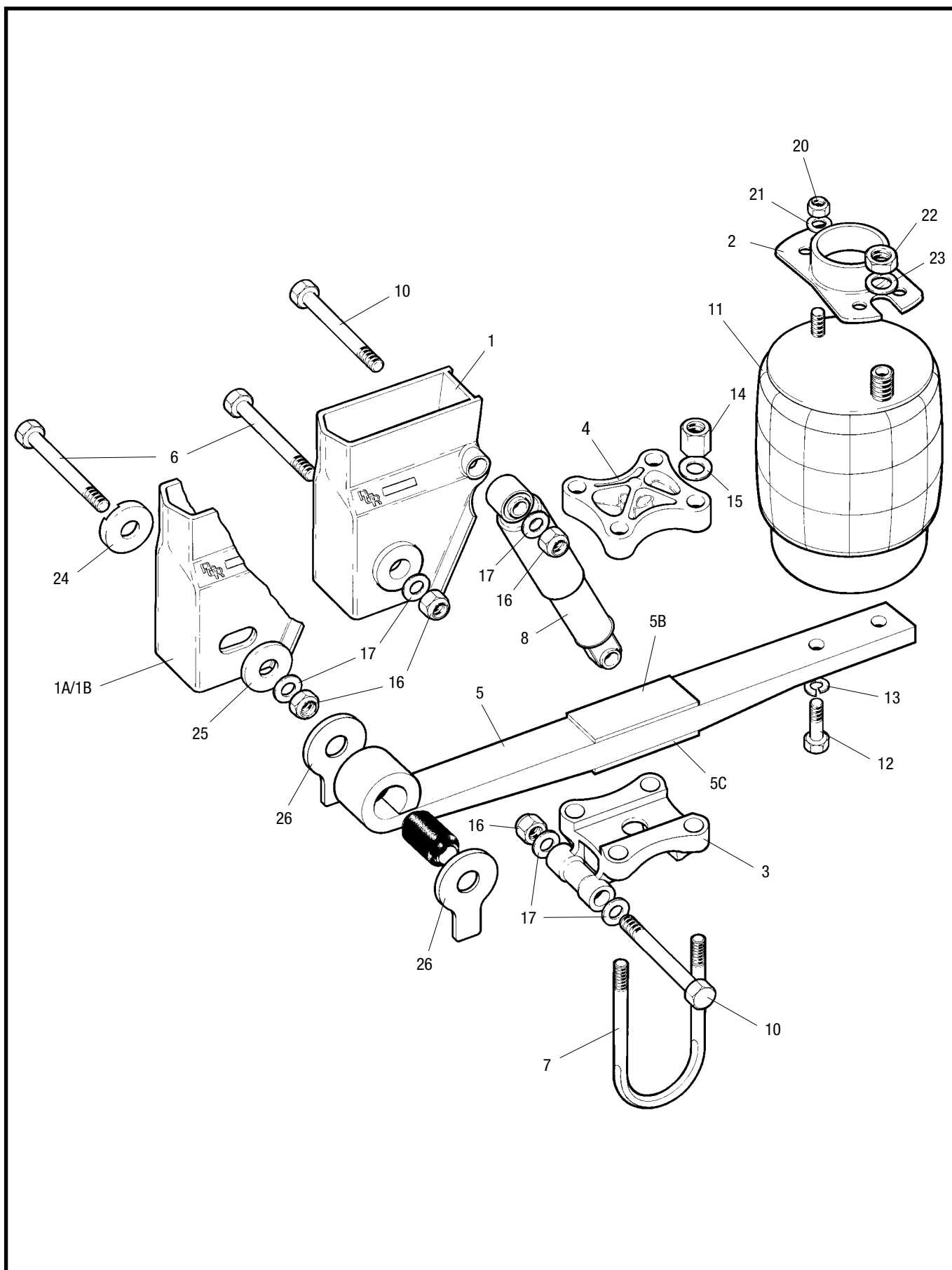
<sup>(3)</sup> After Dec 2000

\* If the pivot eye tracking is not fitted then tracking bushes are not supplied as they are prewelded to the frame mounting brackets.



an ArvinMeritor brand

# Flexair FL9000H





## Parts List FL9000H

| Item | Description                      | Quantity | Part Number     | Remarks                            |
|------|----------------------------------|----------|-----------------|------------------------------------|
| 1    | Frame Mounting Bracket           | 2        | 21224639 - 41   | Untracked, 500 - 550 Ride Height   |
| 1A   | Frame Mounting Bracket           | 1        | 21224639L - 41L | Tracked L/H, 500 - 550 Ride Height |
| 1A   | Frame Mounting Bracket           | 1        | 21224639R - 41R | Tracked R/H, 500 - 550 Ride Height |
| 2    | Airspring Pedestal Assembly      | 2        | 21222582 - 84   | 500 - 550 Ride Height              |
| 3    | Spring Seat                      | 2        | 21222399        |                                    |
| 4    | U Bolt Plate                     | 2        | 21222395        |                                    |
| 5    | Trailing Arm Assembly (C/W Bush) | 2        | 21224376        | M30 Bush                           |
| 5    | Trailing Arm Assembly (C/W Bush) | 2        | 21227324        | M24 Bush                           |
| 5B   | Shim                             | 4        | 21222330        | Galvanised 3mm Top                 |
| 5C   | Shim                             | 2        | 21222906        | Galvanised 10mm Bottom             |
| 6    | Pivot Bolt                       | 2        | 21222230        | M24 x 195 GR 8.8 Olive             |
| 7    | U Bolt                           | 4        | 21222327        | M24 x 280                          |
| 8    | Damper                           | 2        | 21224745        | SP4-7T                             |
| 8A   | Damper Bush                      | 4        | 21214754        | For use with above Damper          |
| 10   | Damper Bolt                      | 4        | 21222231        | M24 x 250 GR 8.8 Olive             |
| 11   | Airspring                        | 2        | 21222442        | MP7                                |
| 12   | Bolt                             | 4        | 99526002        | M12 x 55 GR 8.8 Zn                 |
| 13   | Washer                           | 4        | 99510003        | M12 Spring Zn                      |
| 14   | U Bolt Nut                       | 8        | 21222243        | M24 Special U Bolt Plain           |
| 15   | U Bolt Washer                    | 8        | 21222923        | M24 Special Hardened               |
| 16   | Pivot/Damper Nut                 | 6        | 99527004        | M24 Nyloc Zn                       |
| 17   | Pivot/Damper Washer              | 8        | 99513007        | M24 Plain                          |
| 20   | Nut                              | 2        | 99527000        | M12 GR 8.0 Zn                      |
| 21   | Washer                           | 2        | 99513006        | M12 Zn                             |
| 22   | Nut                              | 2        | 99528000        | M22 Thin Zn                        |
| 23   | Washer                           | 2        | 99510004        | M22 Spring Zn                      |
| 24   | Tracking Bush                    | 2        | 21222221        | Eccentric* - M30                   |
| 24   | Tracking Bush <sup>(3)</sup>     | 2        | 21225156        | Eccentric* - M24                   |
| 25   | Tracking Bush                    | 2        | 21222287        | Concentric* - M30                  |
| 25   | Tracking Bush <sup>(3)</sup>     | 2        | 21225157        | Concentric* - M24                  |
| 26   | Wear Plate                       | 4        | 21222223        | Tracked - M30                      |
| 26   | Wear Plate                       | 4        | 21222690        | Untracked - M30                    |
| 26   | Wear Plate <sup>(3)</sup>        | 4        | 21224386        | Tracked - M24                      |

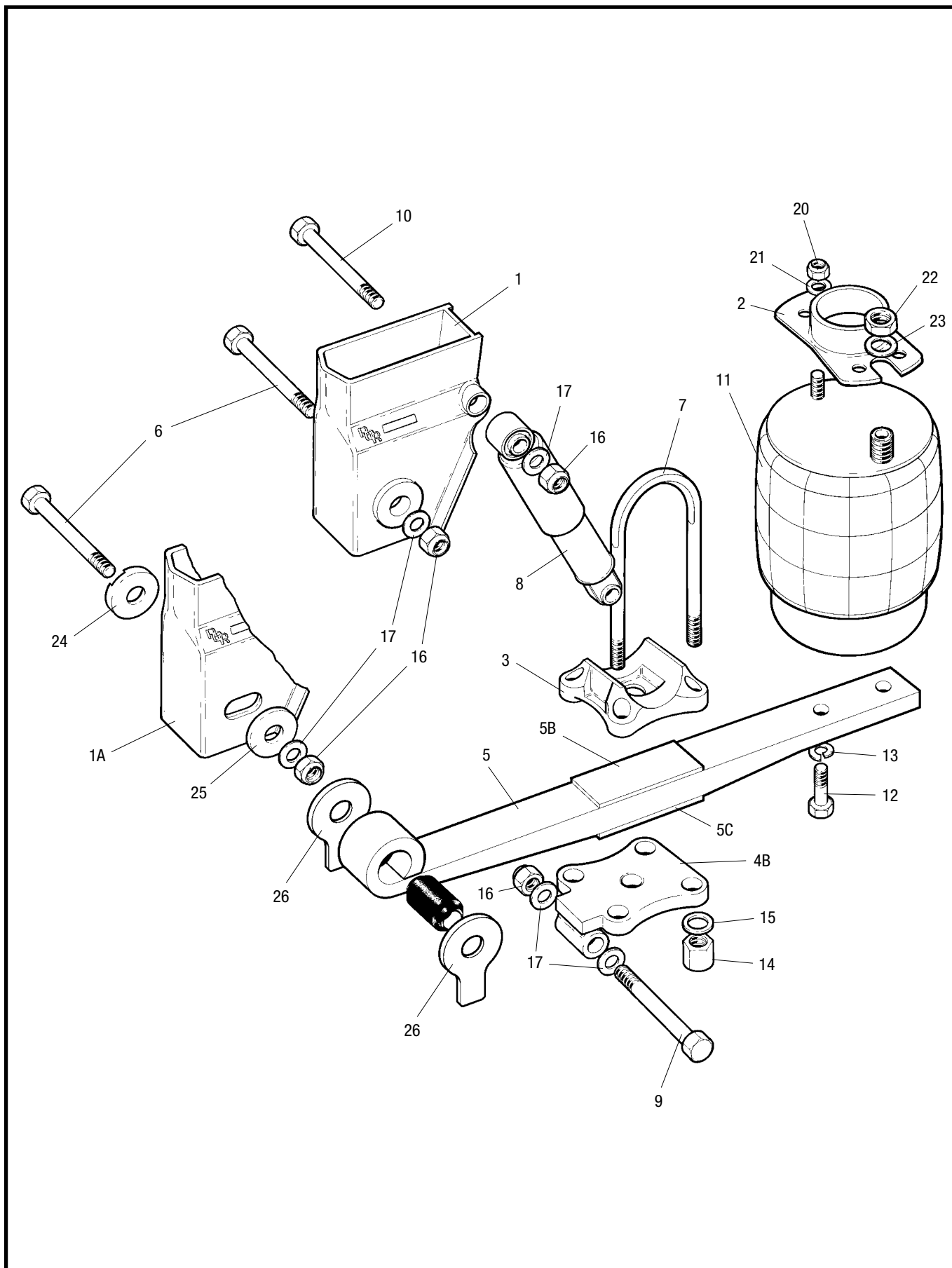
<sup>(3)</sup> After Dec 2000

\* If the pivot eye tracking is not fitted then tracking bushes are not supplied as they are prewelded to the frame mounting brackets.



an ArvinMeritor brand

# Flexair FL9000HL



## Parts List FL9000HL

| Item | Description                      | Quantity | Part Number     | Remarks                            |
|------|----------------------------------|----------|-----------------|------------------------------------|
| 1    | Frame Mounting Bracket           | 2        | 21224637 - 41   | Untracked, 275 - 375 Ride Height   |
| 1A   | Frame Mounting Bracket           | 1        | 21224637L - 41L | Tracked L/H, 275 - 375 Ride Height |
| 1A   | Frame Mounting Bracket           | 1        | 21224637R - 41R | Tracked R/H, 275 - 375 Ride Height |
| 2    | Airspring Pedestal Assembly      | 2        | 21222582 - 86   | 275 - 375 Ride Height              |
| 3    | Spring Seat                      | 2        | 21222262        |                                    |
| 4    | U Bolt Plate R/H                 | 2        | 21223646R       |                                    |
| 4    | U Bolt Plate L/H                 | 2        | 21223646L       |                                    |
| 5    | Trailing Arm Assembly (C/W Bush) | 2        | 21224376        | M30 Bush                           |
| 5    | Trailing Arm Assembly (C/W Bush) | 2        | 21227324        | M24 Bush                           |
| 5B   | Shim                             | 4        | 21222330        | Galvanised 3mm Top                 |
| 5C   | Shim                             | 2        | 21222329        | Galvanised 3mm Bottom              |
| 6    | Pivot Bolt                       | 2        | 21222230        | M24 x 195 GR 8.8 Olive             |
| 7    | U Bolt                           | 4        | 21222327        | M24 x 280                          |
| 8    | Damper                           | 2        | 21224745        | SP4-7T                             |
| 8A   | Damper Bush                      | 4        | 21214754        | For use with above Damper          |
| 9    | Damper Bolt - Bottom             | 2        | 21222230        | M24 x 195 GR 8.8 Olive             |
| 10   | Damper Bolt - Top                | 2        | 21222231        | M24 x 250 GR 8.8 Olive             |
| 11   | Airspring                        | 2        | 21222442        | MP7                                |
| 12   | Bolt                             | 4        | 99526002        | M12 x 55 GR 8.8 Zn                 |
| 13   | Washer                           | 4        | 99510003        | M12 Spring Zn                      |
| 14   | U Bolt Nut                       | 8        | 21222243        | M24 Special U Bolt Plain           |
| 15   | U Bolt Washer                    | 8        | 21222923        | M24 Special Hardened               |
| 16   | Pivot/Damper Nut                 | 6        | 99527004        | M24 Nyloc Zn                       |
| 17   | Pivot/Damper Washer              | 8        | 99513007        | M24 Plain                          |
| 20   | Nut                              | 2        | 99527000        | M12 GR 8.0 Zn                      |
| 21   | Washer                           | 2        | 99513006        | M12 Zn                             |
| 22   | Nut                              | 2        | 99528001        | M22 Thin Zn                        |
| 23   | Washer                           | 2        | 99510004        | M22 Spring Zn                      |
| 24   | Tracking Bush                    | 2        | 21222221        | Eccentric* - M30                   |
| 24   | Tracking Bush <sup>(3)</sup>     | 2        | 21225156        | Eccentric* - M24                   |
| 25   | Tracking Bush                    | 2        | 21222287        | Concentric* - M30                  |
| 25   | Tracking Bush <sup>(3)</sup>     | 2        | 21225157        | Concentric* - M24                  |
| 26   | Wear Plate                       | 4        | 21222223        | Tracked - M30                      |
| 26   | Wear Plate                       | 4        | 21222690        | Untracked - M30                    |
| 26   | Wear Plate <sup>(3)</sup>        | 4        | 21224386        | Tracked - M24                      |

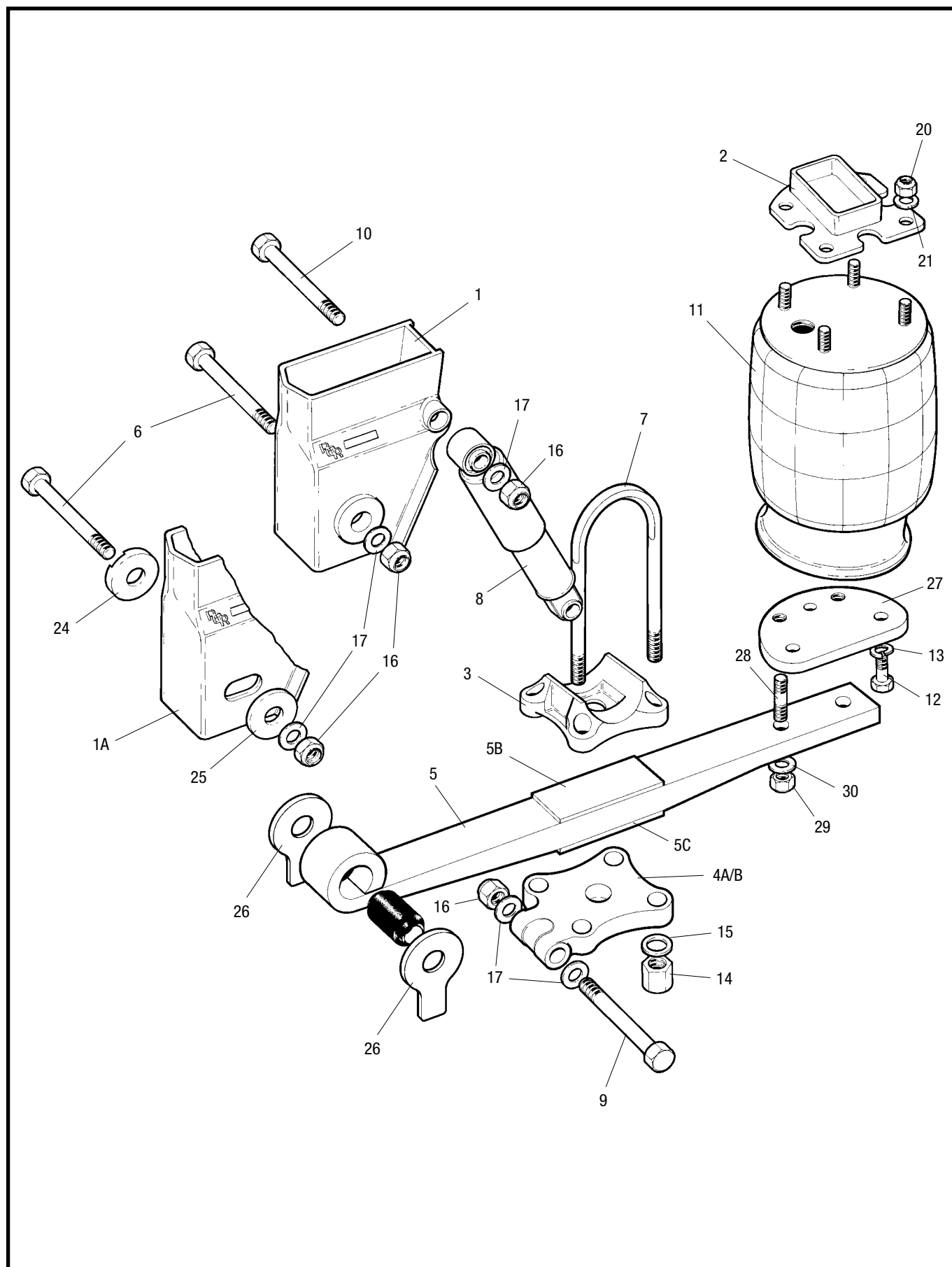
<sup>(3)</sup> After Dec 2000

\* If the pivot eye tracking is not fitted then tracking bushes are not supplied as they are prewelded to the frame mounting brackets.



an ArvinMeritor brand

# Flexair FL9000HLL



## Parts List FL9000HLL

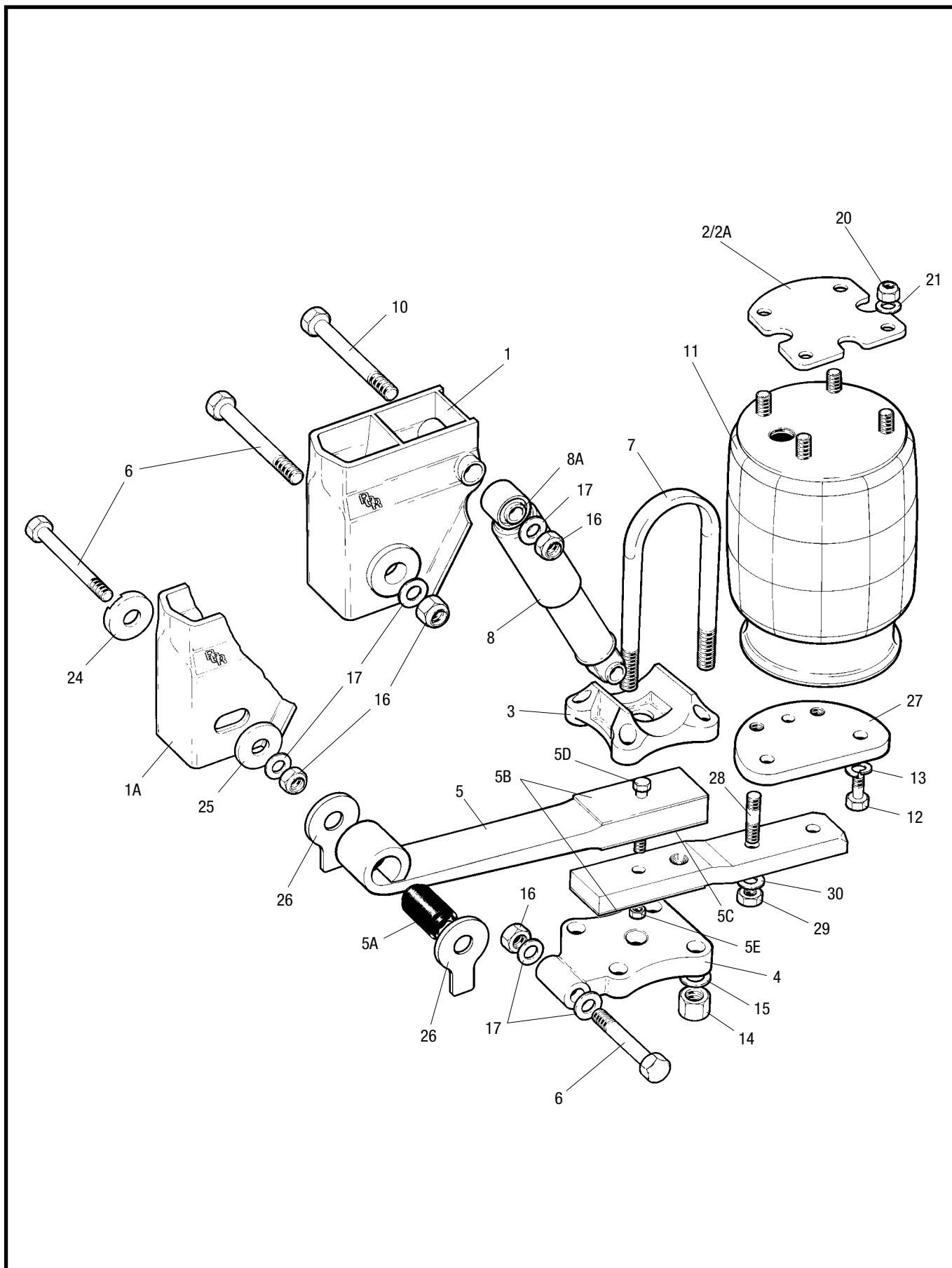
| Item | Description                      | Quantity | Part Number     | Remarks                            |
|------|----------------------------------|----------|-----------------|------------------------------------|
| 1    | Frame Mounting Bracket           | 2        | 21224636 - 41   | Untracked, 300 - 425 Ride Height   |
| 1A   | Frame Mounting Bracket           | 1        | 21224636L - 41L | Tracked L/H, 300 - 425 Ride Height |
| 1A   | Frame Mounting Bracket           | 1        | 21224636R - 41R | Tracked R/H, 300 - 425 Ride Height |
| 2    | Airspring Pedestal Assembly      | 2        | 21221995 -2000  | 300 - 425 Ride Height              |
| 3    | Spring Seat                      | 2        | 21226018        |                                    |
| 4    | U Bolt Plate R/H                 | 2        | 21224436        |                                    |
| 4    | U Bolt Plate L/H                 | 2        | 21224437        |                                    |
| 5    | Trailing Arm Assembly (C/W Bush) | 2        | 21226383        |                                    |
| 5B   | Shim                             | 2        | 21222330        | Galvanised 3mm Top                 |
| 5C   | Shim                             | 2        | 21222329        | Galvanised 3mm Bottom              |
| 6    | Pivot/Bottom Damper Bolt         | 4        | 21222230        | M24 x 195 GR 8.8 Olive             |
| 7    | U Bolt                           | 4        | 21226019        | M24                                |
| 8    | Damper                           | 2        | 21224034        | SP4-7T                             |
| 8A   | Damper Bush                      | 4        | 21214754        | For use with above Damper          |
| 10   | Top Damper Bolt                  | 2        | 21222231        | M24 x 250 GR 8.8 Olive             |
| 11   | Airspring                        | 2        | 21222673        | F14                                |
| 12   | Bolt                             | 6        | 99526000        | M12 x 35 GR 8.8 Zn                 |
| 13   | Washer                           | 6        | 99510003        | M12 Spring Zn                      |
| 14   | U Bolt Nut                       | 8        | 21222243        | M24 Special U Bolt Plain           |
| 15   | U Bolt Washer                    | 8        | 21222923        | M24 Special Hardened               |
| 16   | Pivot/Damper Nut                 | 6        | 99527004        | M24 Nyloc Zn                       |
| 17   | Pivot/Damper Washer              | 8        | 99513007        | M24 Plain                          |
| 20   | Nut                              | 8        | 99527000        | M12 Cleveloc Zn                    |
| 21   | Washer                           | 8        | 99513006        | M12 Zn                             |
| 24   | Tracking Bush                    | 2        | 21225156        | Eccentric*                         |
| 25   | Tracking Bush                    | 2        | 21225157        | Concentric*                        |
| 26   | Wear Washer                      | 4        | 21224386        | Tracked or Untracked               |
| 27   | Offset Support Plate             | 2        | 21222251        |                                    |
| 28   | Stud                             | 4        | 21222255        | M16 Zn                             |
| 29   | Nut                              | 4        | 99527002        | M16 Nyloc GR 8.0 Zn                |
| 30   | Washer                           | 4        | 99513009        | M16 Zn                             |

\* If the pivot eye tracking is not fitted then tracking bushes are not supplied as they are prewelded to the frame mounting brackets.



an ArvinMeritor brand

# Flexair FL9000M



## Parts List FL9000M

| Item | Description                                     | Quantity | Part Number     | Remarks                            |
|------|---|----------|-----------------|------------------------------------|
| 1    | Frame Mounting Bracket                          | 2        | 21222717- 18    | Untracked, 228 - 253 Ride Height   |
| 1A   | Frame Mounting Bracket                          | 1        | 21222717L - 18L | Tracked L/H, 228 - 253 Ride Height |
| 1A   | Frame Mounting Bracket                          | 1        | 21222717R - 18R | Tracked R/H, 228 - 253 Ride Height |
| 1    | Frame Mounting Bracket <sup>(3)</sup>           | 2        | 21226520 -21    | Untracked, 228 - 253 Ride Height   |
| 1A   | Frame Mounting Bracket <sup>(3)</sup>           | 1        | 21226520L - 21L | Tracked L/H, 228 - 253 Ride Height |
| 1A   | Frame Mounting Bracket <sup>(3)</sup>           | 1        | 21226520R - 21R | Tracked R/H, 228 - 253 Ride Height |
| 2    | Airspring Pedestal Plate                        | 2        | 21222452        | 228 Ride Height                    |
| 2A   | Airspring Pedestal Assembly                     | 2        | 21221994        | 253 Ride Height                    |
| 3    | Spring Seat                                     | 2        | 21222262        |                                    |
| 4    | U Bolt Plate <sup>(1)</sup>                     | 2        | 21224461        |                                    |
| 5    | Trailing Arm Assembly (C/W Bush) <sup>(1)</sup> | 2        | 21224465        | M30 Bush                           |
| 5    | Trailing Arm Assembly (C/W Bush) <sup>(3)</sup> | 2        | 21227323        | M24 Bush                           |
| 5A   | Pivot Bush                                      | 2        | 21222609        | M30 Pivot Bolt                     |
| 5A   | Pivot Bush <sup>(3)</sup>                       | 2        | 21224663        | M24 Pivot Bolt                     |
| 5B   | Shim  | 4        | 21223609        | Galvanised 3mm Top/Bott            |
| 5C   | Shim  | 2        | 21222198        | Galvanised 3mm Mid                 |
| 5D   | Bolt  | 2        | 21223606        | M16 x 126 GR 8.8 Zn                |
| 5E   | Nut   | 2        | 99527002        | M16 Cleveloc GC 8.0 Zn             |
| 6    | Pivot Bolt                                      | 2        | 21222234        | M30 x 200 GR 8.8 Olive             |
| 6    | Pivot Bolt <sup>(3)</sup>                       | 2        | 21222230        | M24 x 195 GR 8.8 Olive             |
| 7    | U Bolt <sup>(1)</sup>                           | 4        | 21222326        | M24 x 3.25                         |
| 8    | Damper  | 2        | 21224034        | SP4-7T                             |
| 8A   | Damper Bush                                     | 4        | 21214754        | For use with above Damper          |
| 9    | Damper Bolt - Bottom                            | 2        | 21222230        | M24 x 195 GR 8.8 Olive             |
| 10   | Damper Bolt - Top                               | 2        | 21222231        | M24 x 250 GR 8.8 Olive             |
| 11   | Airspring                                       | 2        | 21222673        | F14                                |
| 12   | Bolt  | 6        | 99526000        | M12 x 35 Zn                        |
| 13   | Washer  | 6        | 99510003        | M12 Spring Zn                      |
| 14   | U Bolt Nut                                      | 8        | 21222243        | M24 Special U Bolt Plain           |
| 15   | U Bolt Washer                                   | 8        | 21222923        | M24 Special Hardened               |
| 16   | Pivot Nut                                       | 2        | 99527003        | M30 Nyloc GR 8.0 Zn                |
| 16   | Pivot Nut <sup>(3)</sup>                        | 2        | 99527004        | M24 Nyloc GR 8.0 Zn                |
| 17   | Pivot Washer                                    | 2        | 99513008        | M30 Plain                          |
| 17   | Pivot Washer <sup>(3)</sup>                     | 2        | 99513007        | M24 Plain                          |
| 18   | Damper Nut                                      | 4        | 99527004        | M24 Nyloc GR 8.0 Zn                |
| 19   | Damper Washer                                   | 6        | 99513007        | M24 Plain                          |
| 20   | Nut   | 8        | 99527000        | M12 Cleveloc Zn                    |
| 21   | Washer  | 8        | 99513006        | M12 Zn                             |
| 24   | Tracking Bush                                   | 2        | 21222221        | Eccentric* - M30                   |
| 24   | Tracking Bush <sup>(3)</sup>                    | 2        | 21225156        | Eccentric* - M24                   |
| 25   | Tracking Bush                                   | 2        | 21222287        | Concentric* - M30                  |
| 25   | Tracking Bush <sup>(3)</sup>                    | 2        | 21225157        | Concentric* - M24                  |
| 26   | Wear Plate                                      | 4        | 21222223        | Tracked - M30                      |
| 26   | Wear Plate                                      | 4        | 21222690        | Untracked - M30                    |
| 26   | Wear Plate <sup>(3)</sup>                       | 4        | 21224386        | Tracked - M24                      |
| 27   | Offset Support Plate                            | 2        | 21222248 - 52   | 95, 75 Std, 45, 30, 0              |
| 28   | Stud  | 4        | 21222255        | M16 Zn                             |
| 29   | Nut   | 4        | 99527002        | M16 Nyloc GR 8.0 Zn                |
| 30   | Washer  | 4        | 99513009        | M16 Zn                             |

<sup>(1)</sup> After June 1997

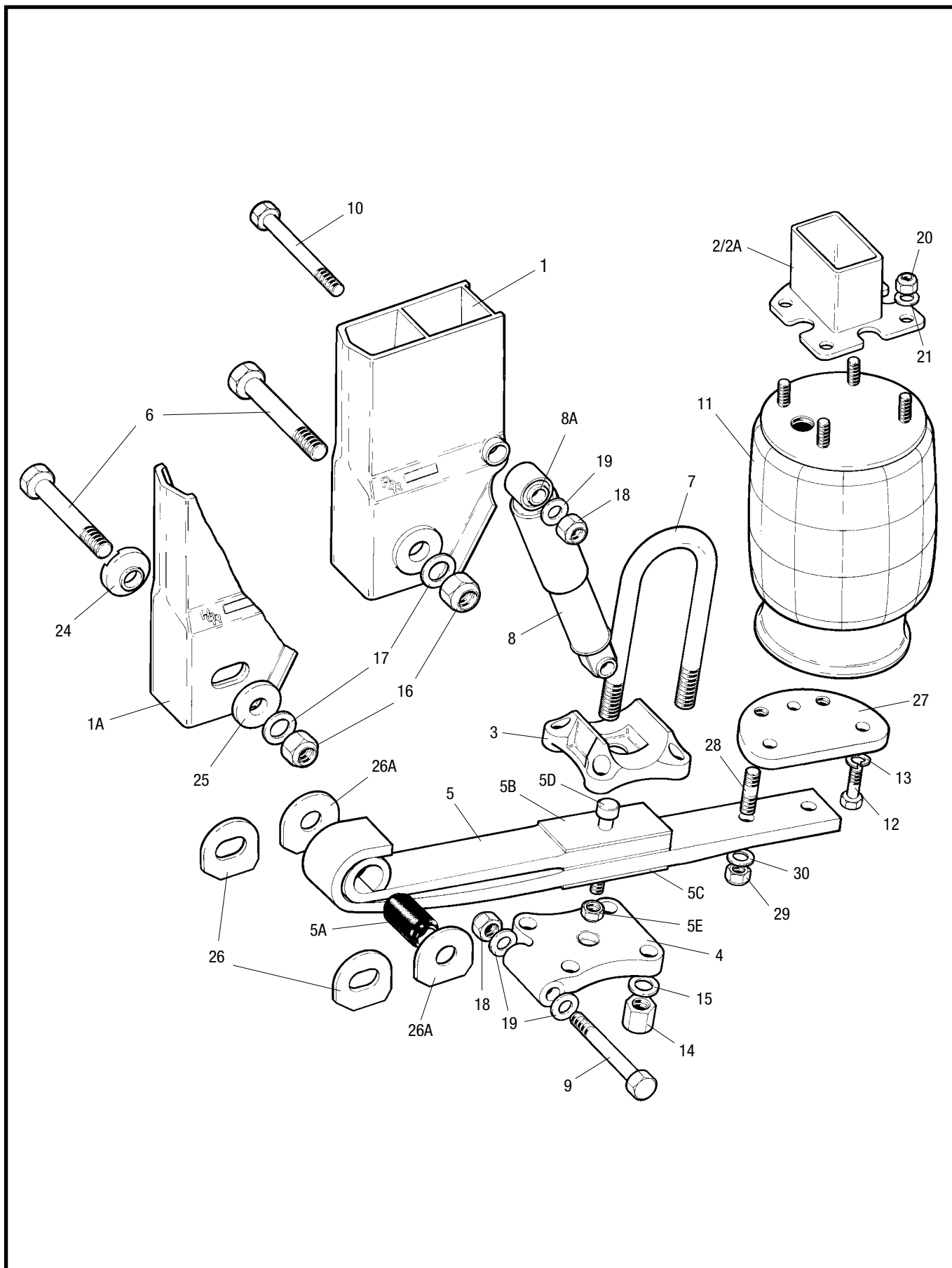
<sup>(3)</sup> After Dec 2000

\* If the pivot eye tracking is not fitted then tracking bushes are not supplied as they are prewelded to the frame mounting brackets.



an ArvinMeritor brand

# Flexair FL11000







an ArvinMeritor brand

## Parts List FL11000

| Item | Description                           | Quantity | Part Number     | Remarks                            |
|------|---------------------------------------|----------|-----------------|------------------------------------|
| 1    | Frame Mounting Bracket                | 2        | 21221981 - 90   | Untracked, 250 - 475 Ride Height   |
| 1A   | Frame Mounting Bracket                | 1        | 21221981L - 90L | Tracked L/H, 250 - 475 Ride Height |
| 1A   | Frame Mounting Bracket                | 1        | 21221981R - 90R | Tracked R/H, 250 - 475 Ride Height |
| 1    | Frame Mounting Bracket <sup>(1)</sup> | 2        | 21222716 - 25   | Untracked, 250 - 475 Ride Height   |
| 1A   | Frame Mounting Bracket <sup>(1)</sup> | 1        | 21222716L - 25L | Tracked L/H, 250 - 475 Ride Height |
| 1A   | Frame Mounting Bracket <sup>(1)</sup> | 1        | 21222716R - 25R | Tracked R/H, 250 - 475 Ride Height |
| 2    | Airspring Pedestal Plate              | 2        | 21222452        | 250 Height                         |
| 2A   | Airspring Pedestal Assembly           | 2        | 21221994 - 2002 | 275 - 475 Ride Height              |
| 3    | Spring Seat                           | 2        | 21222262        |                                    |
| 4    | U Bolt Plate                          | 2        | 21222260        |                                    |
| 5    | Trailing Arm Assembly (C/W Bush)      | 2        | 21222118        |                                    |
| 5A   | Pivot Bush                            | 2        | 21222609        |                                    |
| 5B   | Shim                                  | 4        | 21222198        | Galvanised 3mm Top/Mid             |
| 5C   | Packing Plate                         | 2        | 21222436        | 10mm Bot-Ø17 Hole                  |
| 5D   | Bolt                                  | 2        | 21222196        | M16 x 121 GR 8.8 Plain             |
| 5E   | Nut                                   | 2        | 99527002        | M16 Cleveloc GR 8.0 Zn             |
| 6    | Pivot Bolt                            | 2        | 21222234        | M30 x 200 GR 8.8 Olive             |
| 7    | U Bolt                                | 4        | 21222326        | M24 x 315                          |
| 8    | Damper                                | 2        | 21216058        | SP4 9T                             |
| 8    | Damper <sup>(1)</sup>                 | 2        | 21222271        | SP4 7T                             |
| 8A   | Damper Bush                           | 4        | 21216032        | For use with above Damper          |
| 9    | Damper Bolt – Bottom                  | 2        | 21222230        | M24 x 195 GR 8.8 Olive             |
| 10   | Damper Bolt – Top                     | 2        | 21222231        | M24 x 250 GR 8.8 Olive             |
| 11   | Airspring                             | 2        | 21222239        | F11/L11                            |
| 12   | Bolt                                  | 6        | 99526000        | M12 x 35 Zn                        |
| 13   | Washer                                | 6        | 99510003        | M12 Spring Zn                      |
| 14   | U Bolt Nut                            | 8        | 21222243        | M24 Special U Bolt Plain           |
| 15   | U Bolt Washer                         | 8        | 21222923        | M24 Special Hardened               |
| 16   | Pivot Nut                             | 2        | 99527003        | M30 Nyloc GR 8.0 Zn                |
| 17   | Pivot Washer                          | 2        | 99513008        | M30 Plain                          |
| 18   | Damper Nut                            | 4        | 99527004        | M24 Nyloc GR 8.0 Zn                |
| 19   | Damper Washer                         | 6        | 99513007        | M24 Plain                          |
| 20   | Nut                                   | 2        | 99527000        | M12 Nyloc GR 8.0 Zn                |
| 21   | Washer                                | 8        | 99513006        | M12 Zn                             |
| 24   | Tracking Bush                         | 2        | 21222221        | Eccentric*                         |
| 25   | Tracking Bush                         | 2        | 21222287        | Concentric*                        |
| 26   | Thrust Washer                         | 4        | 21222223        | Tracked Version                    |
| 26A  | Thrust Washer                         | 4        | 21222690        | Untracked Version                  |
| 27   | Offset Support Plate                  | 2        | 21222248-52     | 95, 75, 45, 30, 0                  |
| 28   | Stud                                  | 4        | 21222255        | M16 Zn                             |
| 29   | Nut                                   | 4        | 99527002        | M16 Nyloc GR 8.0 Zn                |
| 30   | Washer                                | 4        | 99513009        | M16 Zn                             |

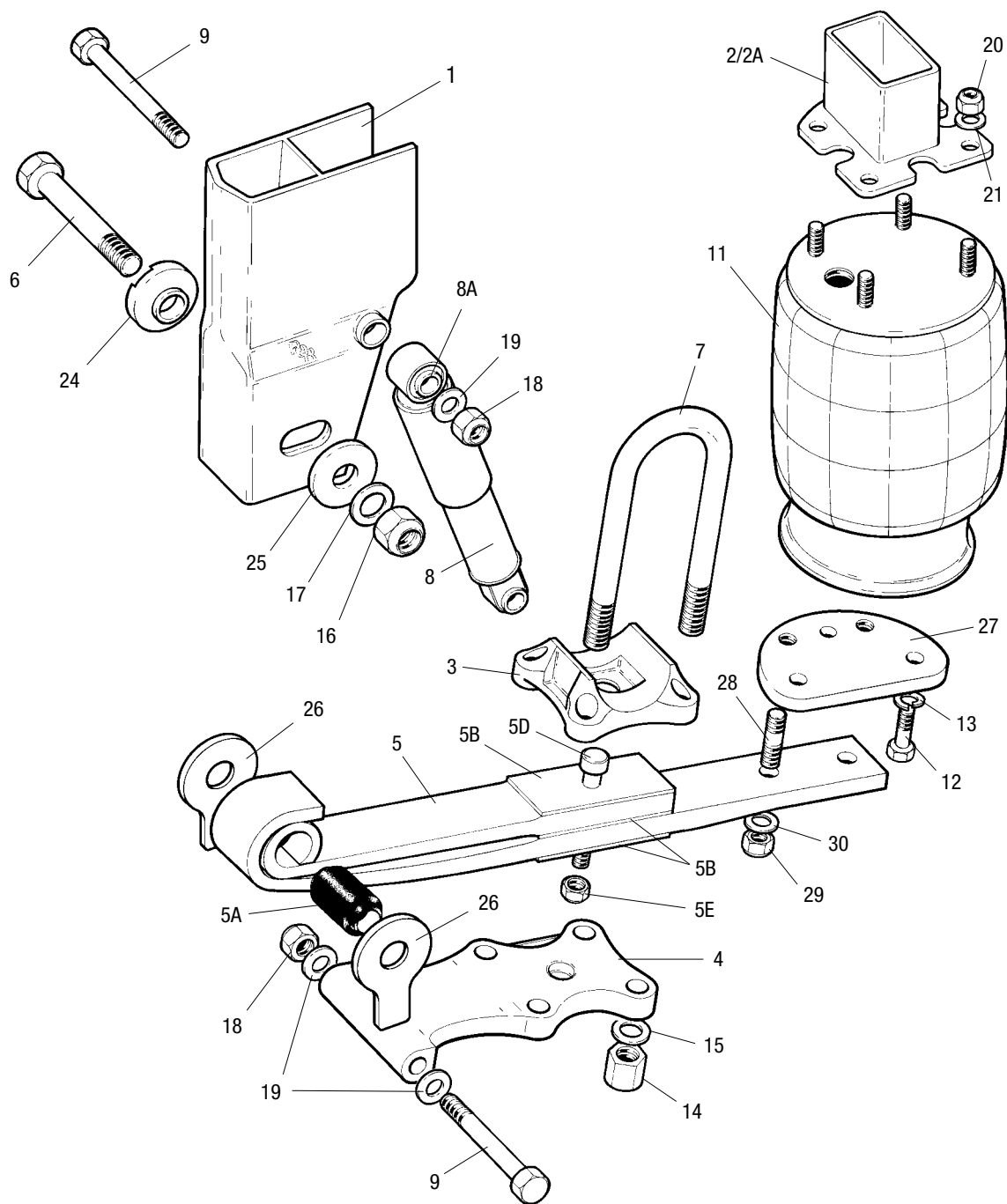
<sup>(1)</sup> Post April 1993

\* If the pivot eye tracking is not fitted then tracking bushes are not supplied as they are prewelded to the frame mounting brackets.



an ArvinMeritor brand

# Flexair FP11000





an ArvinMeritor brand

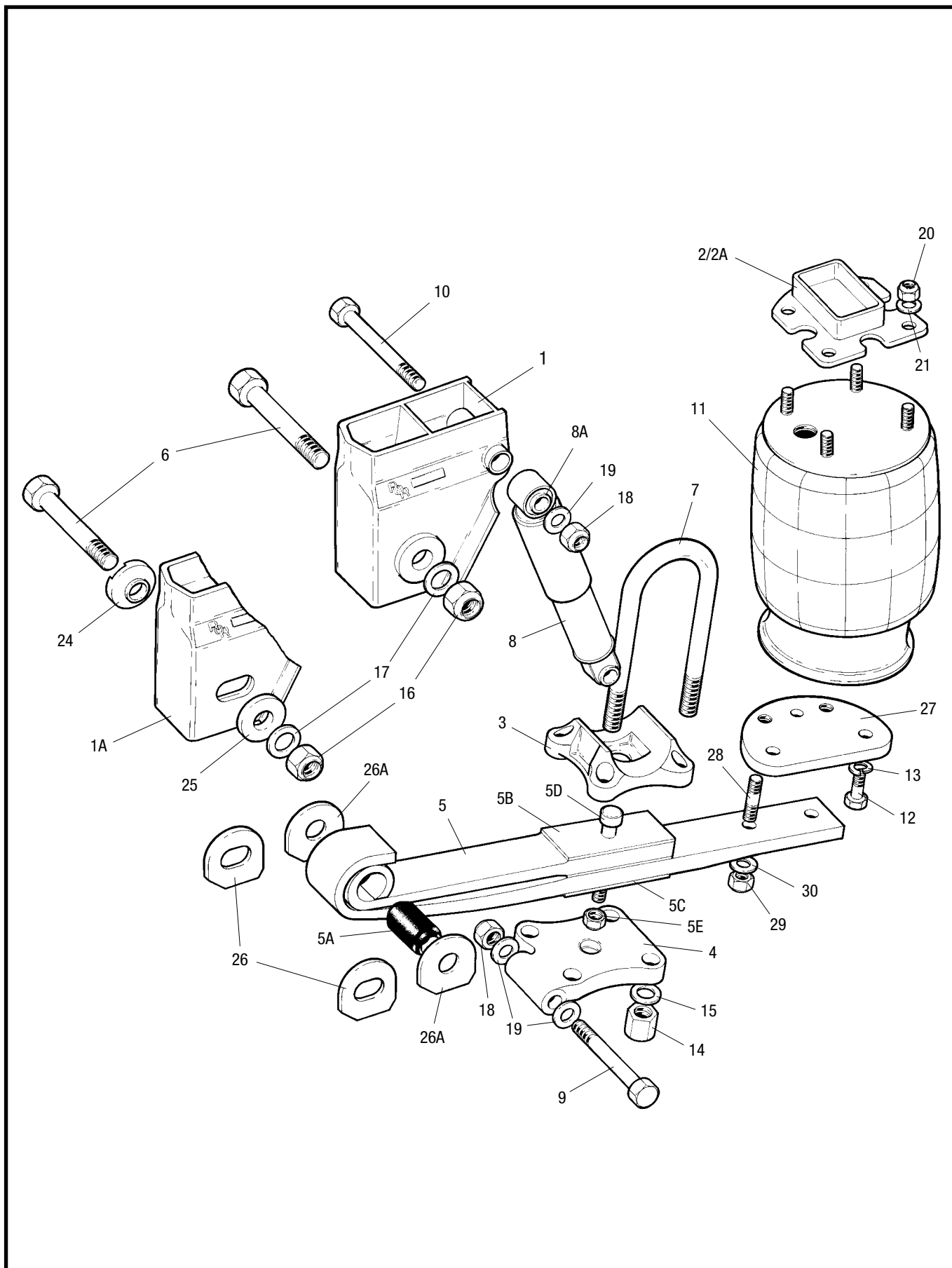
# Parts List FP11000

| Item | Description                      | Quantity | Part Number     | Remarks                            |
|------|----------------------------------|----------|-----------------|------------------------------------|
| 1    | Frame Mounting Bracket           | 1        | 21226736L - 41L | Tracked L/H, 250 - 500 Ride Height |
| 1    | Frame Mounting Bracket           | 1        | 21226736R - 41R | Tracked R/H, 250 - 500 Ride Height |
| 2    | Airspring Pedestal Plate         | 2        | 21222452        | 250 Ride Height                    |
| 2A   | Airspring Pedestal Assembly      | 2        | 21221995        | 300 Ride Height                    |
| 2A   | Airspring Pedestal Assembly      | 2        | 21221997        | 350 Ride Height                    |
| 2A   | Airspring Pedestal Assembly      | 2        | 21221999        | 400 Ride Height                    |
| 2A   | Airspring Pedestal Assembly      | 2        | 21222001        | 450 Ride Height                    |
| 2A   | Airspring Pedestal Assembly      | 2        | 21226487        | 500 Ride Height                    |
| 3    | Spring Seat                      | 2        | 21222262        |                                    |
| 4    | U Bolt Plate                     | 2        | 21226999        |                                    |
| 5    | Trailing Arm Assembly (C/W Bush) | 2        | 21225499        |                                    |
| 5A   | Pivot Bush                       | 2        | 21222609        |                                    |
| 5B   | Shim                             | 6        | 21222198        | Galvanised 3mm                     |
| 5D   | Bolt                             | 2        | 21222196        | M16 x 121 GR 8.8 Plain             |
| 5E   | Nut                              | 2        | 99527002        | M16 Cleveloc GR 8.0 Zn             |
| 6    | Pivot Bolt                       | 2        | 21222234        | M30 x 200 GR 8.8 Olive             |
| 7    | U Bolt                           | 4        | 21222326        | M24 x 315                          |
| 8    | Damper                           | 2        | 21226989        | SP4 7T                             |
| 8A   | Damper Bush                      | 4        | 21216032        | For use with above Damper          |
| 9    | Damper Bolt                      | 2        | 21222233        | M24 x 300 GR 8.8 Olive             |
| 11   | Airspring                        | 2        | 21222239        | F11                                |
| 12   | Bolt                             | 6        | 99526000        | M12 x 35 Zn                        |
| 13   | Washer                           | 6        | 99510003        | M12 Spring Zn                      |
| 14   | U Bolt Nut                       | 8        | 21222243        | M24 Special U Bolt Plain           |
| 15   | U Bolt Washer                    | 8        | 21222923        | M24 Special Hardened               |
| 16   | Pivot Nut                        | 2        | 99527003        | M30 Nyloc GR 8.0 Zn                |
| 17   | Pivot Washer                     | 2        | 99513008        | M30 Plain                          |
| 18   | Damper Nut                       | 4        | 99527004        | M24 Nyloc GR 8.0 Zn                |
| 19   | Damper Washer                    | 6        | 99513007        | M24 Plain                          |
| 20   | Nut                              | 2        | 99527000        | M12 Nyloc GR 8.0 Zn                |
| 21   | Washer                           | 8        | 99513006        | M12 Zn                             |
| 24   | Tracking Bush                    | 2        | 21227374        | Eccentric                          |
| 25   | Tracking Bush                    | 2        | 21227373        | Concentric                         |
| 26   | Wear Washer                      | 4        | 21227262        | Tracked Version                    |
| 27   | Offset Support Plate             | 2        | 21222248-52     | 95, 75, 45, 30, 0                  |
| 28   | Stud                             | 4        | 21222255        | M16 Zn                             |
| 29   | Nut                              | 4        | 99527002        | M16 Nyloc GR 8.0 Zn                |
| 30   | Washer                           | 4        | 99513009        | M16 Zn                             |



an ArvinMeritor brand

# Flexair FL11000L



## Parts List FL11000L

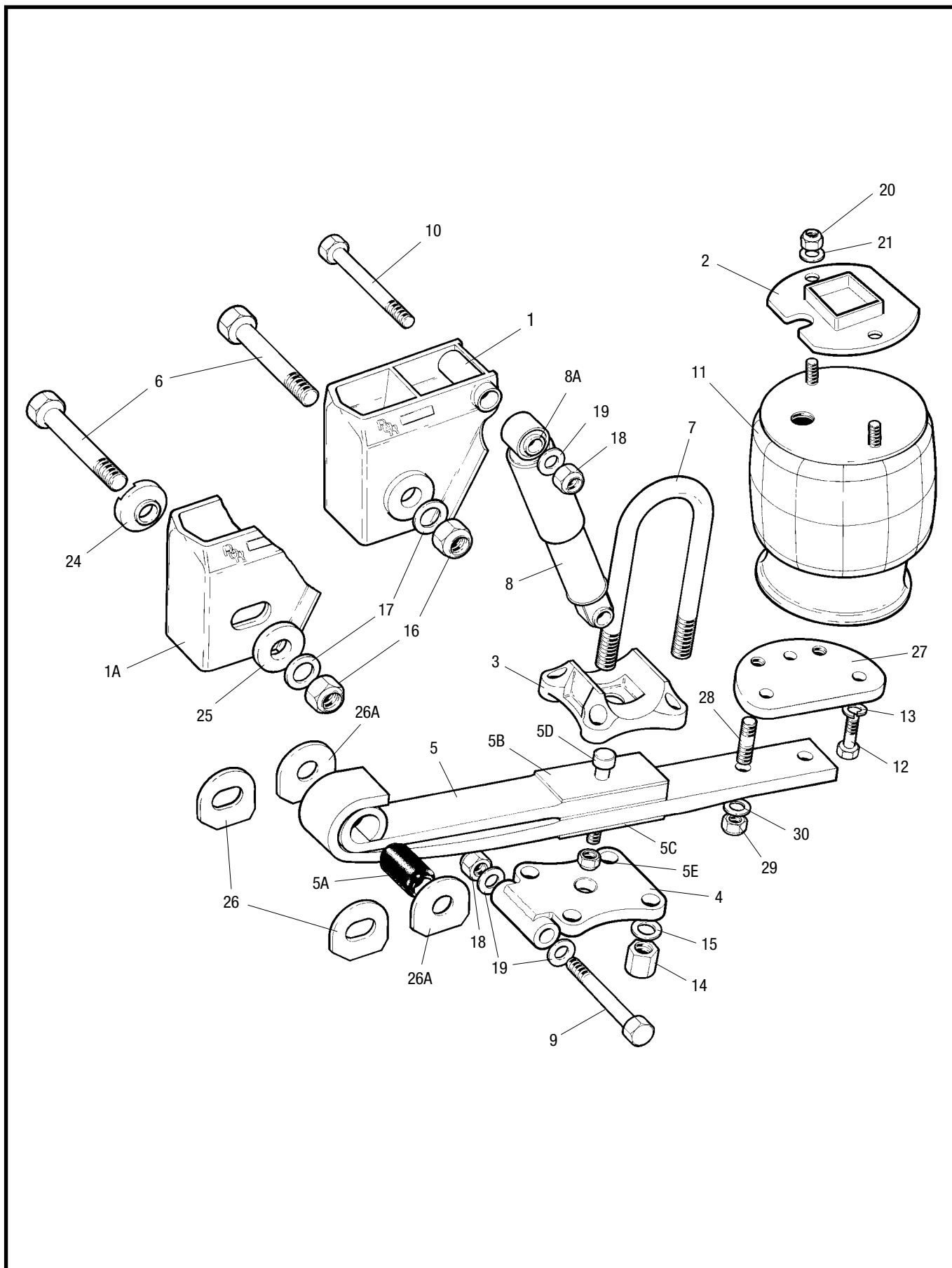
| Item | Description                      | Quantity | Part Number      | Remarks                            |
|------|----------------------------------|----------|------------------|------------------------------------|
| 1    | Frame Mounting Bracket           | 2        | 21222714 - 16    | Untracked, 200 - 250 Ride Height   |
| 1A   | Frame Mounting Bracket           | 1        | 21222714L - 716L | Tracked L/H, 200 - 250 Ride Height |
| 1A   | Frame Mounting Bracket           | 1        | 21222714R - 716R | Tracked R/H, 200 - 250 Ride Height |
| 2    | Airspring Pedestal Plate         | 2        | 21222452         | 200 Ride Height                    |
| 2A   | Airspring Pedestal Assembly      | 2        | 21221994 - 95    | 225 - 250 Ride Height              |
| 3    | Spring Seat                      | 2        | 21222262         |                                    |
| 4    | U Bolt Plate R/H                 | 1        | 21224436         |                                    |
| 4    | U Bolt Plate L/H                 | 1        | 21224437         |                                    |
| 5    | Trailing Arm Assembly (C/W Bush) | 2        | 21225499         |                                    |
| 5A   | Pivot Bush                       | 2        | 21222609         |                                    |
| 5B   | Shim                             | 4        | 21222198         | Galvanised 3mm                     |
| 5C   | Packing Plate                    | 2        | 21222436         | 10mm Thk-Ø17 Hole                  |
| 5D   | Bolt                             | 2        | 21222196         | M16 x 121 GR 8.8 Plain             |
| 5E   | Nut                              | 2        | 99527002         | M16 Cleveloc GR 8.0 Zn             |
| 6    | Pivot Bolt                       | 2        | 21222234         | M30 x 200 GR 8.8 Olive             |
| 7    | U Bolt                           | 4        | 21222326         | M24 x 315                          |
| 8    | Damper                           | 2        | 21224745         | SP4 7T                             |
| 8A   | Damper Bush                      | 4        | 21216032         | For use with above Damper          |
| 9    | Damper Bolt – Bottom             | 2        | 21222230         | M24 x 195 GR 8.8 Olive             |
| 10   | Damper Bolt – Top                | 2        | 21222231         | M24 x 250 GR 8.8 Olive             |
| 11   | Airspring                        | 2        | 21208082         | F7                                 |
| 12   | Bolt                             | 6        | 99526000         | M12 x 35 Zn                        |
| 13   | Washer                           | 6        | 99510003         | M12 Spring Zn                      |
| 14   | U Bolt Nut                       | 8        | 21222243         | M24 Special U Bolt Plain           |
| 15   | U Bolt Washer                    | 8        | 21222923         | M24 Special Hardened               |
| 16   | Pivot Nut                        | 2        | 99527003         | M30 Nyloc GR 8.0 Zn                |
| 17   | Pivot Washer                     | 2        | 99513008         | M30 Plain                          |
| 18   | Damper Nut                       | 4        | 99527004         | M24 Nyloc GR 8.0 Zn                |
| 19   | Damper Washer                    | 6        | 99513007         | M24 Plain                          |
| 20   | Nut                              | 8        | 99527000         | M12 Nyloc GR 8.0 Zn                |
| 21   | Washer                           | 8        | 99513006         | M12 Zn                             |
| 24   | Tracking Bush                    | 2        | 21222221         | Eccentric*                         |
| 25   | Tracking Bush                    | 2        | 21222287         | Concentric*                        |
| 26   | Thrust Washer                    | 4        | 21222223         | Tracked Version                    |
| 26A  | Thrust Washer                    | 4        | 21222690         | Untracked Version                  |
| 27   | Offset Support Plate             | 2        | 21222248 - 52    | 95, 75, 45, 30, 0                  |
| 28   | Stud                             | 4        | 21222255         | M16 Zn                             |
| 29   | Nut                              | 4        | 99527002         | M16 Nyloc GR 8.0 Zn                |
| 30   | Washer                           | 4        | 99513009         | M16 Zn                             |

\* If the pivot eye tracking is not fitted then tracking bushes are not supplied as they are prewelded to the frame mounting brackets.



an ArvinMeritor brand

# Flexair FL11000/150



## Parts List FL11000/150

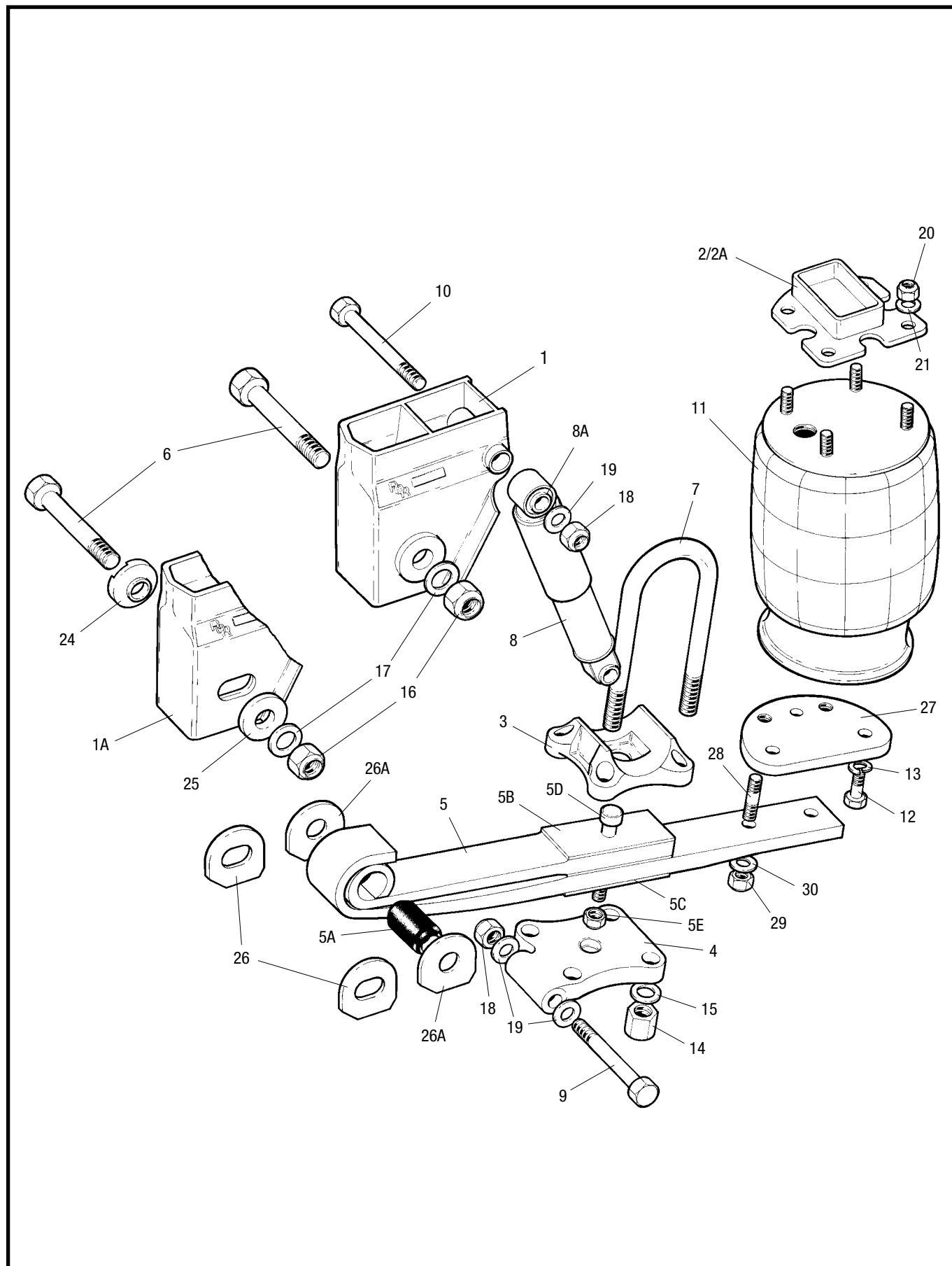
| Item | Description                      | Quantity | Part Number   | Remarks                      |
|------|----------------------------------|----------|---------------|------------------------------|
| 1    | Frame Mounting Bracket           | 2        | 21222714      | Untracked, 150 Ride Height   |
| 1A   | Frame Mounting Bracket           | 1        | 21222714L     | Tracked L/H, 150 Ride Height |
| 1A   | Frame Mounting Bracket           | 1        | 21222714R     | Tracked R/H, 150 Ride Height |
| 2    | Airspring Pedestal Assembly      | 2        | 21223263      | 150 Ride Height              |
| 3    | Spring Seat                      | 2        | 21222262      |                              |
| 4    | U Bolt Plate                     | 2        | 21223262      |                              |
| 5    | Trailing Arm Assembly (C/W Bush) | 2        | 21222118      |                              |
| 5A   | Pivot Bush                       | 2        | 21222609      |                              |
| 5B   | Shim                             | 4        | 21222198      | Galvanised 3mm               |
| 5C   | Packing Plate                    | 2        | 21222436      | 10mm Thk-Ø17 Hole            |
| 5D   | Bolt                             | 2        | 21222196      | M16 x 121 GR 8.8 Plain       |
| 5E   | Nut                              | 2        | 99527002      | M16 Cleveloc GR 8.0 Zn       |
| 6    | Pivot Bolt                       | 2        | 21222234      | M30 x 200 GR 8.8 Olive       |
| 7    | U Bolt                           | 4        | 21222326      | M24 x 315                    |
| 8    | Damper                           | 2        | 21224745      | SP4 7T                       |
| 8A   | Damper Bush                      | 4        | 21216032      | For use with above Damper    |
| 9    | Damper Bolt                      | 4        | 21222231      | M24 x 250 GR 8.8 Olive       |
| 11   | Airspring                        | 2        | 21223269      | 1T15L4-M2 HYT                |
| 12   | Bolt                             | 6        | 99526001      | M12 x 25 Zn                  |
| 13   | Washer                           | 6        | 99510003      | M12 Spring Zn                |
| 14   | U Bolt Nut                       | 8        | 21222243      | M24 Special U Bolt Plain     |
| 15   | U Bolt Washer                    | 8        | 21222923      | M24 Special Hardened         |
| 16   | Pivot Nut                        | 2        | 99527003      | M30 Nyloc GR 8.0 Zn          |
| 17   | Pivot Washer                     | 2        | 99513008      | M30 Plain                    |
| 18   | Damper Nut                       | 4        | 99527004      | M24 Nyloc GR 8.0 Zn          |
| 19   | Damper Washer                    | 6        | 99513007      | M24 Plain                    |
| 20   | Nut                              | 4        | 93400136      | ½" UNC Ph                    |
| 21   | Washer                           | 8        | 93600072      | ½"                           |
| 24   | Tracking Bush                    | 2        | 21222221      | Eccentric*                   |
| 25   | Tracking Bush                    | 2        | 21222287      | Concentric*                  |
| 26   | Thrust Washer                    | 4        | 21222223      | Tracked Version              |
| 26A  | Thrust Washer                    | 4        | 21222690      | Untracked Version            |
| 27   | Offset Support Plate             | 2        | 21222248 - 52 | 95, 75, 45, 30, 0            |
| 28   | Stud                             | 4        | 21222255      | M16 Zn                       |
| 29   | Nut                              | 4        | 99527002      | M16 Nyloc GR 8.0 Zn          |
| 30   | Washer                           | 4        | 99513009      | M16 Zn                       |

\* If the pivot eye tracking is not fitted then tracking bushes are not supplied as they are prewelded to the frame mounting brackets.



an ArvinMeritor brand

# Flexair FL11000D





## Parts List FL11000D

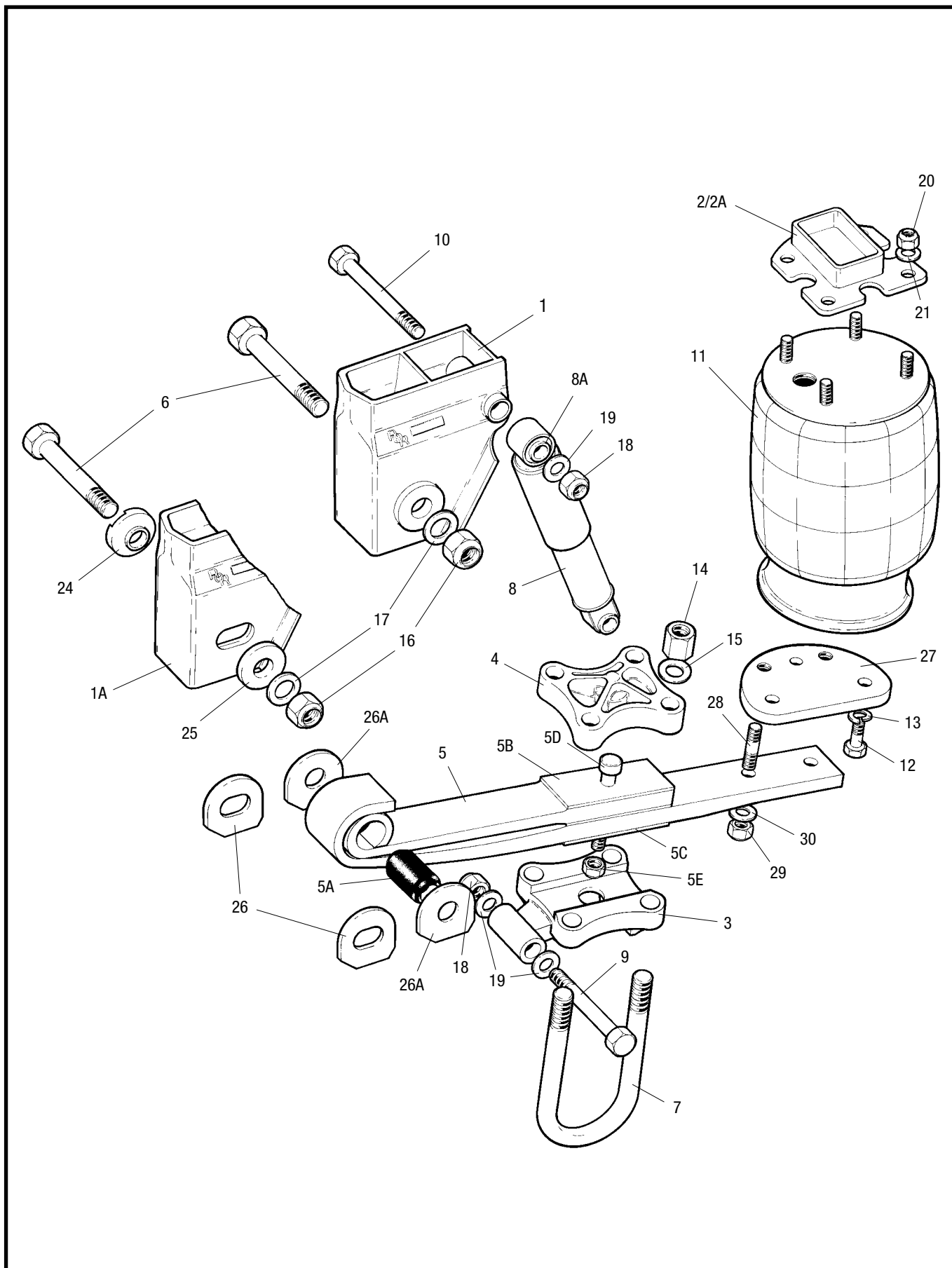
| Item | Description                      | Quantity | Part Number     | Remarks                            |
|------|----------------------------------|----------|-----------------|------------------------------------|
| 1    | Frame Mounting Bracket           | 2        | 21222715 - 24   | Untracked, 225 - 450 Ride Height   |
| 1A   | Frame Mounting Bracket           | 1        | 21222715L - 24L | Tracked L/H, 225 - 450 Ride Height |
| 1A   | Frame Mounting Bracket           | 1        | 21222715R - 24R | Tracked R/H, 225 - 450 Ride Height |
| 2    | Airspring Pedestal Plate         | 2        | 21222452        | 225 Height                         |
| 2A   | Airspring Pedestal Assembly      | 2        | 21221994 - 2002 | 250 - 450 Height                   |
| 3    | Spring Seat                      | 2        | 21222262        |                                    |
| 4    | U Bolt Plate R/H                 | 1        | 21224436        |                                    |
| 4    | U Bolt Plate L/H                 | 1        | 21224437        |                                    |
| 5    | Trailing Arm Assembly (C/W Bush) | 2        | 21225499        |                                    |
| 5A   | Pivot Bush                       | 2        | 21222609        |                                    |
| 5B   | Shim                             | 4        | 21222198        | Galvanised 3mm                     |
| 5C   | Packing Plate                    | 2        | 21222436        | 10mm Thk-Ø17 Hole                  |
| 5D   | Bolt                             | 2        | 21222196        | M16 x 121 GR 8.8 Plain             |
| 5E   | Nut                              | 2        | 99527002        | M16 Cleveloc GR 8.0 Zn             |
| 6    | Pivot Bolt                       | 2        | 21222234        | M30 x 200 GR 8.8 Olive             |
| 7    | U Bolt                           | 4        | 21222326        | M24 x 315                          |
| 8    | Damper                           | 2        | 21226058        | SP4                                |
| 8A   | Damper Bush                      | 4        | 21216032        | For use with above Damper          |
| 9    | Damper Bolt – Bottom             | 2        | 21222230        | M24 x 195 GR 8.8 Olive             |
| 10   | Damper Bolt – Top                | 2        | 21222231        | M24 x 250 GR 8.8 Olive             |
| 11   | Airspring                        | 2        | 21222673        | F14                                |
| 12   | Bolt                             | 6        | 99526000        | M12 x 35 Zn                        |
| 13   | Washer                           | 6        | 99510003        | M12 Spring Zn                      |
| 14   | U Bolt Nut                       | 8        | 21222243        | M24 Special U Bolt Plain           |
| 15   | U Bolt Washer                    | 8        | 21222923        | M24 Special Hardened               |
| 16   | Pivot Nut                        | 2        | 99527003        | M30 Nyloc GR 8.0 Zn                |
| 17   | Pivot Washer                     | 2        | 99513008        | M30 Plain                          |
| 18   | Damper Nut                       | 4        | 99527004        | M24 Nyloc GR 8.0 Zn                |
| 19   | Damper Washer                    | 6        | 99513007        | M24 Plain                          |
| 20   | Nut                              | 8        | 99527000        | M12 Nyloc GR 8.0 Zn                |
| 21   | Washer                           | 8        | 99513006        | M12 Zn                             |
| 24   | Tracking Bush                    | 2        | 21222221        | Eccentric*                         |
| 25   | Tracking Bush                    | 2        | 21222287        | Concentric*                        |
| 26   | Thrust Washer                    | 4        | 21222223        | Tracked Version                    |
| 26A  | Thrust Washer                    | 4        | 21222690        | Untracked Version                  |
| 27   | Offset Support Plate             | 2        | 21222248 - 52   | 95, 75, 45, 30, 0                  |
| 28   | Stud                             | 4        | 21222255        | M16 Zn                             |
| 29   | Nut                              | 4        | 99527002        | M16 Nyloc GR 8.0 Zn                |
| 30   | Washer                           | 4        | 99513009        | M16 Zn                             |

\* If the pivot eye tracking is not fitted then tracking bushes are not supplied as they are prewelded to the frame mounting brackets.



an ArvinMeritor brand

# Flexair FL11000B



## Parts List FL11000B

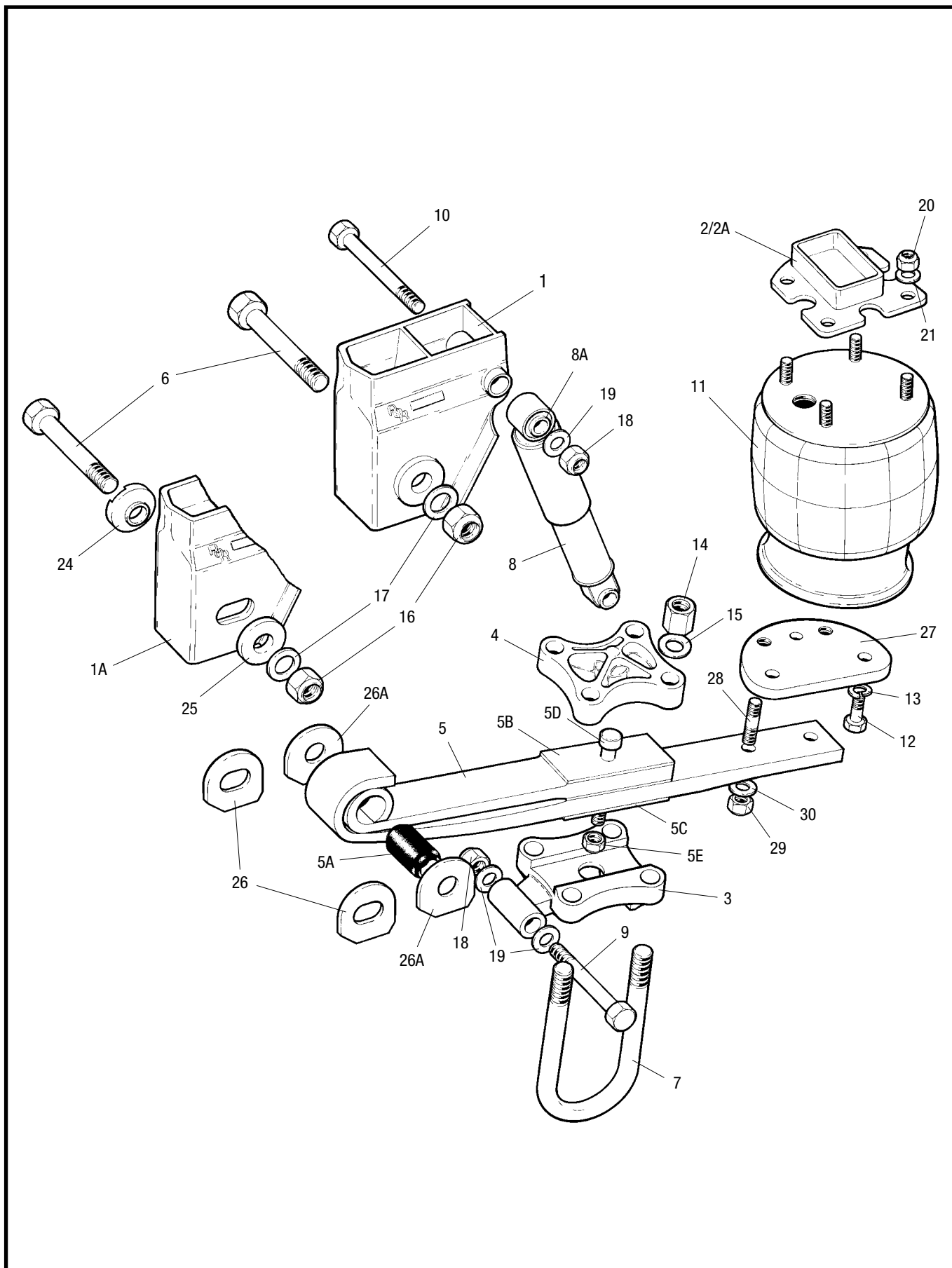
| Item | Description                      | Quantity | Part Number     | Remarks                            |
|------|----------------------------------|----------|-----------------|------------------------------------|
| 1    | Frame Mounting Bracket           | 2        | 21222716 - 25   | Untracked, 500 - 725 Ride Height   |
| 1A   | Frame Mounting Bracket           | 1        | 21222716L - 25L | Tracked L/H, 500 - 725 Ride Height |
| 1A   | Frame Mounting Bracket           | 1        | 21222716R - 25R | Tracked R/H, 500 - 725 Ride Height |
| 2    | Airspring Pedestal Plate         | 2        | 21222452        | 500 Ride Height                    |
| 2A   | Airspring Pedestal Assembly      | 2        | 21221994 - 2002 | 525 - 725 Ride Height              |
| 3    | Spring Seat L/H                  | 1        | 21225274L       |                                    |
| 3    | Spring Seat R/H                  | 1        | 21225274R       |                                    |
| 4    | U Bolt Plate                     | 2        | 21222395        |                                    |
| 5    | Trailing Arm Assembly (C/W Bush) | 2        | 21225419        |                                    |
| 5A   | Pivot Bush                       | 2        | 21222609        |                                    |
| 5B   | Shim                             | 4        | 21222198        | Galvanised 3mm                     |
| 5C   | Packing Plate                    | 2        | 21222436        | 10mm Thk-Ø17 Hole                  |
| 5D   | Bolt                             | 2        | 21222196        | M16 x 121 GR 8.8 Plain             |
| 5E   | Nut                              | 2        | 99527002        | M16 Cleveloc GR 8.0 Zn             |
| 6    | Pivot Bolt                       | 2        | 21222234        | M30 x 200 GR 8.8 Olive             |
| 7    | U Bolt                           | 4        | 21222326        | M24 x 315                          |
| 8    | Damper                           | 2        | 21224745        | SP4 7T                             |
| 8A   | Damper Bush                      | 4        | 21216032        | For use with above Damper          |
| 9    | Damper Bolt – Bottom             | 2        | 21222230        | M24 x 195 GR 8.8 Olive             |
| 10   | Damper Bolt – Top                | 2        | 21222231        | M24 x 250 GR 8.8 Olive             |
| 11   | Airspring                        | 2        | 21222239        | F11                                |
| 12   | Bolt                             | 6        | 99526000        | M12 x 35 Zn                        |
| 13   | Washer                           | 6        | 99510003        | M12 Spring Zn                      |
| 14   | U Bolt Nut                       | 8        | 21222243        | M24 Special U Bolt Plain           |
| 15   | U Bolt Washer                    | 8        | 21222923        | M24 Special Hardened               |
| 16   | Pivot Nut                        | 2        | 99527003        | M30 Nyloc GR 8.0 Zn                |
| 17   | Pivot Washer                     | 2        | 99513008        | M30 Plain                          |
| 18   | Damper Nut                       | 4        | 99527004        | M24 Nyloc GR 8.0 Zn                |
| 19   | Damper Washer                    | 6        | 99513007        | M24 Plain                          |
| 20   | Nut                              | 8        | 99527000        | M12 Nyloc GR 8.0 Zn                |
| 21   | Washer                           | 8        | 99513006        | M12 Zn                             |
| 24   | Tracking Bush                    | 2        | 21222221        | Eccentric*                         |
| 25   | Tracking Bush                    | 2        | 21222287        | Concentric*                        |
| 26   | Thrust Washer                    | 4        | 21222223        | Tracked Version                    |
| 26A  | Thrust Washer                    | 4        | 21222690        | Untracked Version                  |
| 27   | Offset Support Plate             | 2        | 21222248 - 52   | 95, 75, 45, 30, 0                  |
| 28   | Stud                             | 4        | 21222255        | M16 Zn                             |
| 29   | Nut                              | 4        | 99527002        | M16 Nyloc GR 8.0 Zn                |
| 30   | Washer                           | 4        | 99513009        | M16 Zn                             |

\* If the pivot eye tracking is not fitted then tracking bushes are not supplied as they are prewelded to the frame mounting brackets.



an ArvinMeritor brand

# Flexair FL11000LB



## Parts List FL11000LB

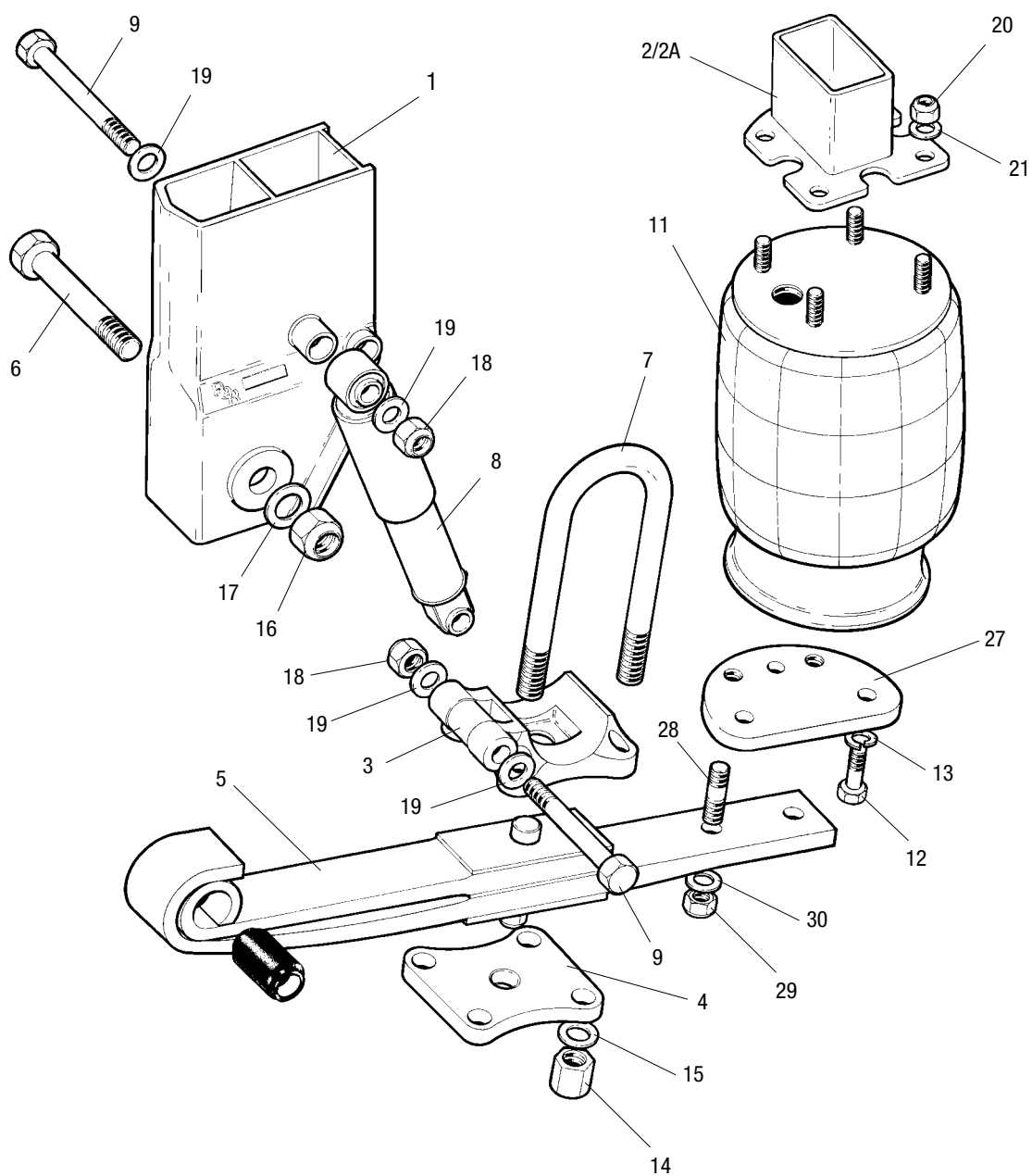
| Item | Description                      | Quantity | Part Number     | Remarks                            |
|------|----------------------------------|----------|-----------------|------------------------------------|
| 1    | Frame Mounting Bracket           | 2        | 21222714 - 16   | Untracked, 450 - 500 Ride Height   |
| 1A   | Frame Mounting Bracket           | 1        | 21222714L - 16L | Tracked L/H, 450 - 500 Ride Height |
| 1A   | Frame Mounting Bracket           | 1        | 21222714R - 16R | Tracked R/H, 450 - 500 Ride Height |
| 2    | Airspring Pedestal Plate         | 2        | 21222452        | 450 Ride Height                    |
| 2A   | Airspring Pedestal Assembly      | 2        | 21221994 - 95   | 475 - 500 Ride Height              |
| 3    | Spring Seat L/H                  | 1        | 21225274L       |                                    |
| 3    | Spring Seat R/H                  | 1        | 21225274R       |                                    |
| 4    | U Bolt Plate                     | 2        | 21222395        |                                    |
| 5    | Trailing Arm Assembly (C/W Bush) | 2        | 21225419        |                                    |
| 5A   | Pivot Bush                       | 2        | 21222609        |                                    |
| 5B   | Shim                             | 4        | 21222198        | Galvanised 3mm                     |
| 5C   | Packing Plate                    | 2        | 21222436        | 10mm Thk-Ø17 Hole                  |
| 5D   | Bolt                             | 2        | 21222196        | M16 x 121 GR 8.8 Plain             |
| 5E   | Nut                              | 2        | 99527002        | M16 Cleveloc GR 8.0 Zn             |
| 6    | Pivot Bolt                       | 2        | 21222234        | M30 x 200 GR 8.8 Olive             |
| 7    | U Bolt                           | 4        | 21222326        | M24 x 315                          |
| 8    | Damper                           | 2        | 21224745        | SP4 7T                             |
| 8A   | Damper Bush                      | 4        | 21216032        | For use with above Damper          |
| 9    | Damper Bolt – Bottom             | 2        | 21222230        | M24 x 195 GR 8.8 Olive             |
| 10   | Damper Bolt – Top                | 2        | 21222231        | M24 x 250 GR 8.8 Olive             |
| 11   | Airspring                        | 2        | 21208082        | F7                                 |
| 12   | Bolt                             | 6        | 99526000        | M12 x 35 Zn                        |
| 13   | Washer                           | 6        | 99510003        | M12 Spring Zn                      |
| 14   | U Bolt Nut                       | 8        | 21222243        | M24 Special U Bolt Plain           |
| 15   | U Bolt Washer                    | 8        | 21222923        | M24 Special Hardened               |
| 16   | Pivot Nut                        | 2        | 99527003        | M30 Nyloc GR 8.0 Zn                |
| 17   | Pivot Washer                     | 2        | 99513008        | M30 Plain                          |
| 18   | Damper Nut                       | 4        | 99527004        | M24 Nyloc GR 8.0 Zn                |
| 19   | Damper Washer                    | 6        | 99513007        | M24 Plain                          |
| 20   | Nut                              | 8        | 99527000        | M12 Nyloc GR 8.0 Zn                |
| 21   | Washer                           | 8        | 99513006        | M12 Zn                             |
| 24   | Tracking Bush                    | 2        | 21222221        | Eccentric*                         |
| 25   | Tracking Bush                    | 2        | 21222287        | Concentric*                        |
| 26   | Thrust Washer                    | 4        | 21222223        | Tracked Version                    |
| 26A  | Thrust Washer                    | 4        | 21222690        | Untracked Version                  |
| 27   | Offset Support Plate             | 2        | 21222248 - 52   | 95, 75, 45, 30, 0                  |
| 28   | Stud                             | 4        | 21222255        | M16 Zn                             |
| 29   | Nut                              | 4        | 99527002        | M16 Nyloc GR 8.0 Zn                |
| 30   | Washer                           | 4        | 99513009        | M16 Zn                             |

\* If the pivot eye tracking is not fitted then tracking bushes are not supplied as they are prewelded to the frame mounting brackets.



an ArvinMeritor brand

# Flexair FL11000CT



# Parts List FL11000CT

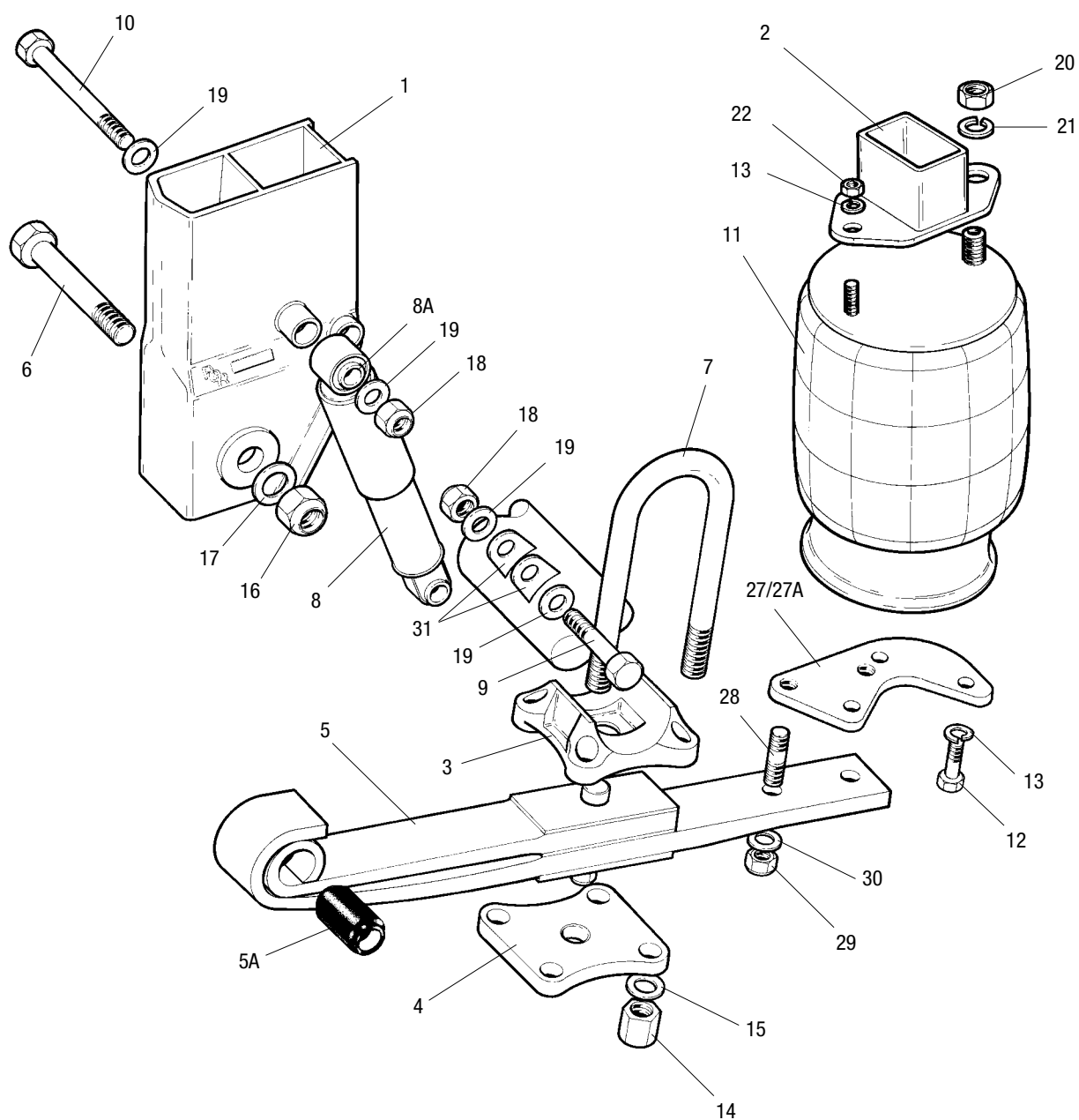
(Suitable for use with Hosta or Tridec)

| Item | Description                      | Quantity | Part Number     | Remarks                    |
|------|----------------------------------|----------|-----------------|----------------------------|
| 1    | Frame Mounting Bracket           | 2        | 21221981- 90    | 250 - 475 Ride Height      |
| 2    | Airspring Pedestal Plate         | 1        | 2122245         | 250 Ride Height            |
| 2A   | Airspring Pedestal Assembly      | 2        | 21221994 - 2002 | 275 - 475 Ride Height      |
| 3    | Spring Seat                      | 2        | 21222399        | FL9000 type inverted at 7° |
| 4    | U Bolt Plate                     | 2        | 21222395        | FL9000 type                |
| 5    | Trailing Arm Assembly (C/W Bush) | 2        | 21222118        | FL11000 standard           |
| 6    | Pivot Bolt                       | 2        | 21222234        | M30 x 200 GR 8.8 Olive     |
| 7    | U Bolt                           | 4        | 21222326        | M24 x 315                  |
| 8    | Damper                           | 2        | 21224745        | SP4 7T                     |
| 9    | Damper Bolt                      | 4        | 21222231        | M24 x 250 GR 8.8 Olive     |
| 11   | Airspring                        | 2        | 21222239        | F11                        |
| 12   | Bolt                             | 6        | 99526000        | M12 x 35 Zn                |
| 13   | Washer                           | 6        | 99510003        | M12 Spring Zn              |
| 14   | U Bolt Nut                       | 8        | 21222243        | M24 Special U Bolt Plain   |
| 15   | U Bolt Washer                    | 8        | 21222923        | M24 Special Hardened       |
| 16   | Pivot Nut                        | 2        | 99527003        | M30 Nyloc GR 8.0 Zn        |
| 17   | Pivot Washer                     | 2        | 99513008        | M30 Plain                  |
| 18   | Damper Nut                       | 4        | 99527004        | M24 Nyloc GR 8.0 Zn        |
| 19   | Damper Washer                    | 4        | 99513007        | M24 Plain                  |
| 20   | Nut                              | 8        | 99527000        | M12 Nyloc GR 8.0 Zn        |
| 21   | Washer                           | 8        | 99513006        | M12 Zn                     |
| 27   | Offset Support Plate             | 2        | 21222249        | 75 offset preferred        |
| 28   | Stud                             | 4        | 21222255        | M16 Zn                     |
| 29   | Nut                              | 4        | 99527002        | M16 Nyloc GR 8.0 Zn        |
| 30   | Washer                           | 4        | 99513009        | M16 Zn                     |



an ArvinMeritor brand

# Flexair FL11000CS





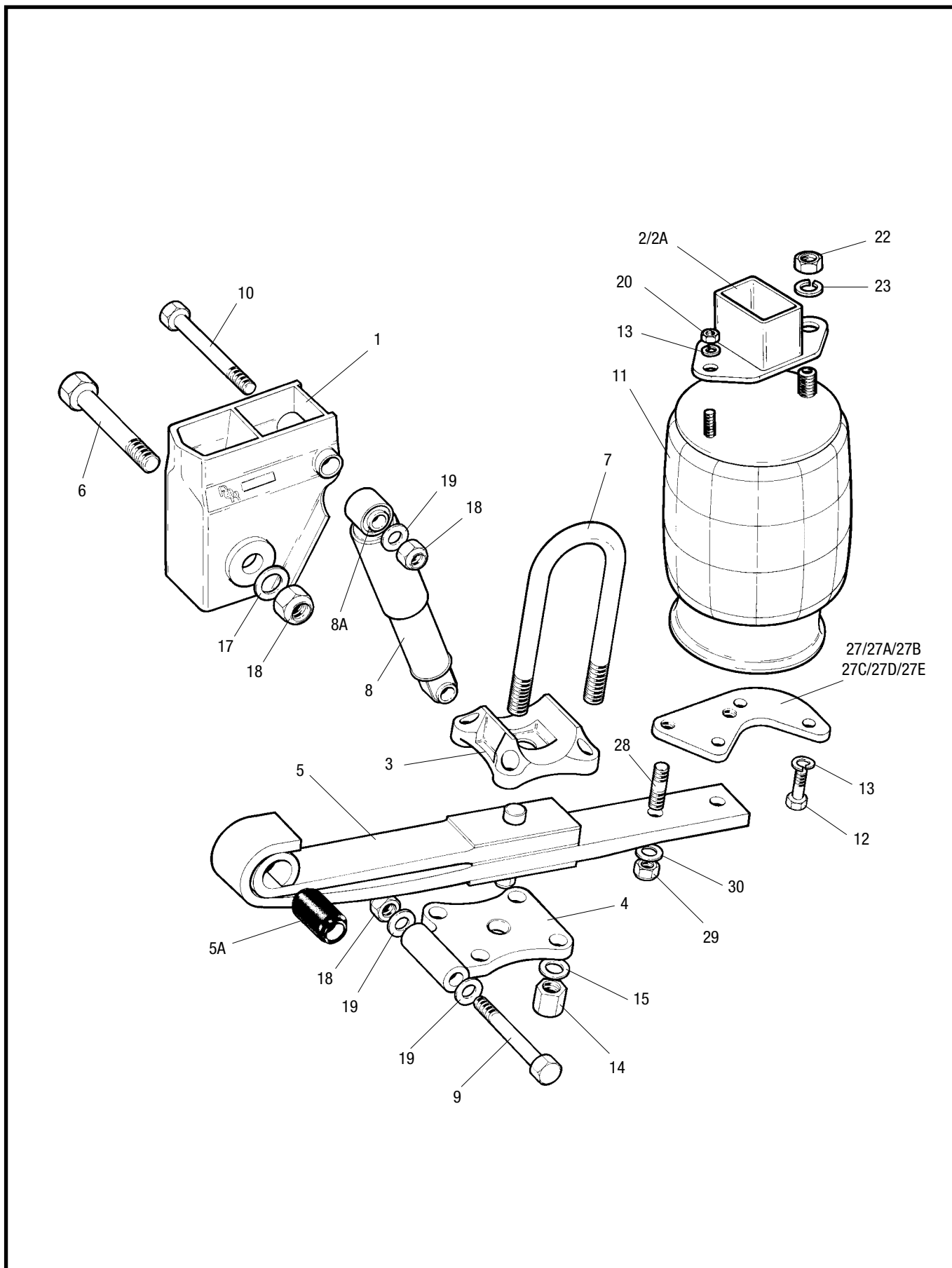
## Parts List FL11000CS

| Item | Description                      | Quantity | Part Number   | Remarks                          |
|------|----------------------------------|----------|---------------|----------------------------------|
| 1    | Frame Mounting Bracket           | 2        | 21223703 - 09 | Untracked, 325 - 475 Ride Height |
| 2    | Airspring Pedestal Assembly      | 2        | 21215776 - 80 | 325 - 425 Ride Height            |
| 2    | Airspring Pedestal Assembly      | 2        | 21215917 - 18 | 450 - 475 Ride Height            |
| 3    | Spring Seat                      | 2        | 21222262      |                                  |
| 4    | U Bolt Plate                     | 2        | 21222395      |                                  |
| 5    | Trailing Arm Assembly (C/W Bush) | 2        | 21222118      |                                  |
| 5A   | Pivot Bush                       | 2        | 21222609      |                                  |
| 6    | Pivot Bolt                       | 2        | 21222234      | M30 x 200 GR 8.8 Olive           |
| 7    | U Bolt                           | 4        | 21222326      | M24 x 315                        |
| 8    | Damper                           | 2        | 21224745      | SP4 7T,                          |
| 9    | Damper Bolt – Bottom             | 2        | 21208315      | M24 x 110 GR 8.8 Olive           |
| 10   | Damper Bolt – Top                | 2        | 21222233      | M24 x 300 GR 8.8 Olive           |
| 11   | Airspring                        | 2        | 21215891      | 1T 15 M9 (1T 323.40)             |
| 12   | Bolt                             | 6        | 99526000      | M12 x 35 Zn                      |
| 13   | Washer                           | 8        | 99510003      | M12 Spring Zn                    |
| 14   | U Bolt Nut                       | 8        | 21222243      | M24 Special U Bolt Plain         |
| 15   | U Bolt Washer                    | 14       | 21222923      | M24 Special Hardened             |
| 16   | Pivot Nut                        | 2        | 99527003      | M30 Nyloc GR 8.0 Zn              |
| 17   | Pivot Washer                     | 2        | 99513008      | M30 Plain                        |
| 18   | Damper Nut                       | 4        | 99527004      | M24 Nyloc GR 8.0 Zn              |
| 19   | Damper Washer                    | 6        | 99513007      | M24 Plain                        |
| 20   | Nut                              | 2        | 99512007      | M12                              |
| 22   | Nut                              | 2        | 99528000      | M22                              |
| 23   | Washer                           | 2        | 99510004      | M22 Spring Zn                    |
| 27   | Offset Support Plate RH          | 1        | 21215795      | 75 Offset                        |
| 27A  | Offset Support Plate LH          | 1        | 21215796      | 75 Offset                        |
| 28   | Stud                             | 4        | 21222255      | M16 Zn                           |
| 29   | Nut                              | 4        | 99527002      | M16 Nyloc GR 8.0 Zn              |
| 30   | Washer                           | 4        | 99513009      | M16 Zn                           |
| 31   | Damper Bracket                   | 4        | 21223701      | Welded to Axle Beam              |



an ArvinMeritor brand

# Flexair FL11000LS





an ArvinMeritor brand

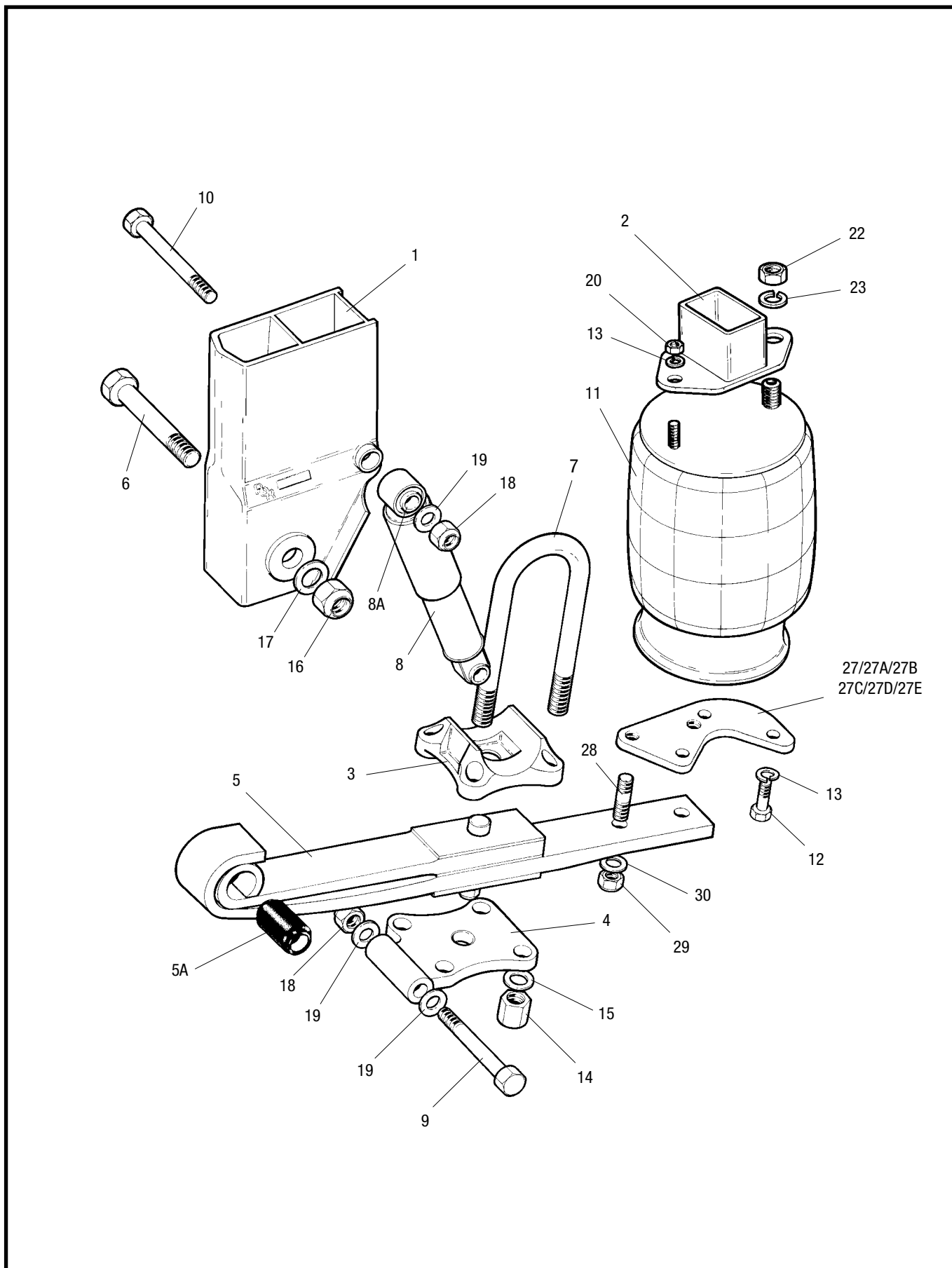
## Parts List FL11000LS

| Item | Description                                | Quantity | Part Number   | Remarks                         |
|------|--|----------|---------------|---------------------------------|
| 1    | Frame Mounting Bracket                     | 2        | 21222714 - 16 | Untracked 200 - 250 Ride Height |
| 2    | Airspring Pedestal Plate                   | 2        | 21208858      | 200 Ride Height                 |
| 2A   | Airspring Pedestal Assembly                | 2        | 21215773 - 4  | 225 - 250 Ride Height           |
| 3    | Spring Seat                                | 2        | 21222262      |                                 |
| 4    | U Bolt Plate                               | 2        | 21222260      |                                 |
| 5    | Trailing Arm Assembly (Meritor UK)         | 2        | 21222118      |                                 |
| 5    | Trailing Arm Assembly (Meritor Italia)     | 2        | 21215600      |                                 |
| 6    | Pivot Bolt                                 | 2        | 21222234      | M30 x 200 GR 8.8 Olive          |
| 7    | U Bolt                                     | 4        | 21222326      | M24 x 315                       |
| 8    | Damper                                     | 2        | 21224745      | SP4 7T                          |
| 9    | Damper Bolt – Bottom                       | 2        | 21222230      | M24 x 195 GR 8.8 Olive          |
| 10   | Damper Bolt – Top                          | 2        | 21222231      | M24 x 250 GR 8.8 Olive          |
| 11   | Airspring                                  | 2        | 21215762      | 1T 15 M6                        |
| 12   | Bolt                                       | 6        | 99526000      | M12 x 35 Zn                     |
| 13   | Washer                                     | 8        | 99510003      | M12 Spring Zn                   |
| 14   | U Bolt Nut                                 | 8        | 21222243      | M24 Special U Bolt Plain        |
| 15   | U Bolt Washer                              | 8        | 21222923      | M24 Special Hardened            |
| 16   | Pivot Nut                                  | 2        | 99527003      | M30 Nyloc GR 8.0 Zn             |
| 17   | Pivot Washer                               | 2        | 99513008      | M30 Plain                       |
| 18   | Damper Nut                                 | 4        | 99527004      | M24 Nyloc GR 8.0 Zn             |
| 19   | Damper Washer                              | 6        | 99513007      | M24 Plain                       |
| 20   | Nut  | 2        | 99512007      | M12                             |
| 22   | Nut  | 2        | 99528000      | M22                             |
| 23   | Washer                                     | 2        | 99510004      | M22 Spring Zn                   |
| 27   | Offset Support Plate (Meritor Italia)      | 2        | 21215794      | 0mm                             |
| 27A  | Offset Support Plate (Meritor Italia) (LH) | 1        | 21212481D     | 75mm                            |
| 27B  | Offset Support Plate (Meritor Italia) (RH) | 1        | 21212481S     | 75mm                            |
| 27C  | Offset Support Plate (Meritor UK)          | 2        | 21225420      | 0mm                             |
| 27D  | Offset Support Plate (Meritor UK) (LH)     | 1        | 21215795      | 75mm                            |
| 27E  | Offset Support Plate (Meritor UK) (RH)     | 1        | 21215796      | 75mm                            |
| 28   | Stud                                       | 4        | 21222255      | M16 Zn                          |
| 29   | Nut  | 4        | 99527002      | M16 Nyloc GR 8.0 Zn             |
| 30   | Washer                                     | 4        | 99513009      | M16 Zn                          |



an ArvinMeritor brand

# Flexair FL11000S



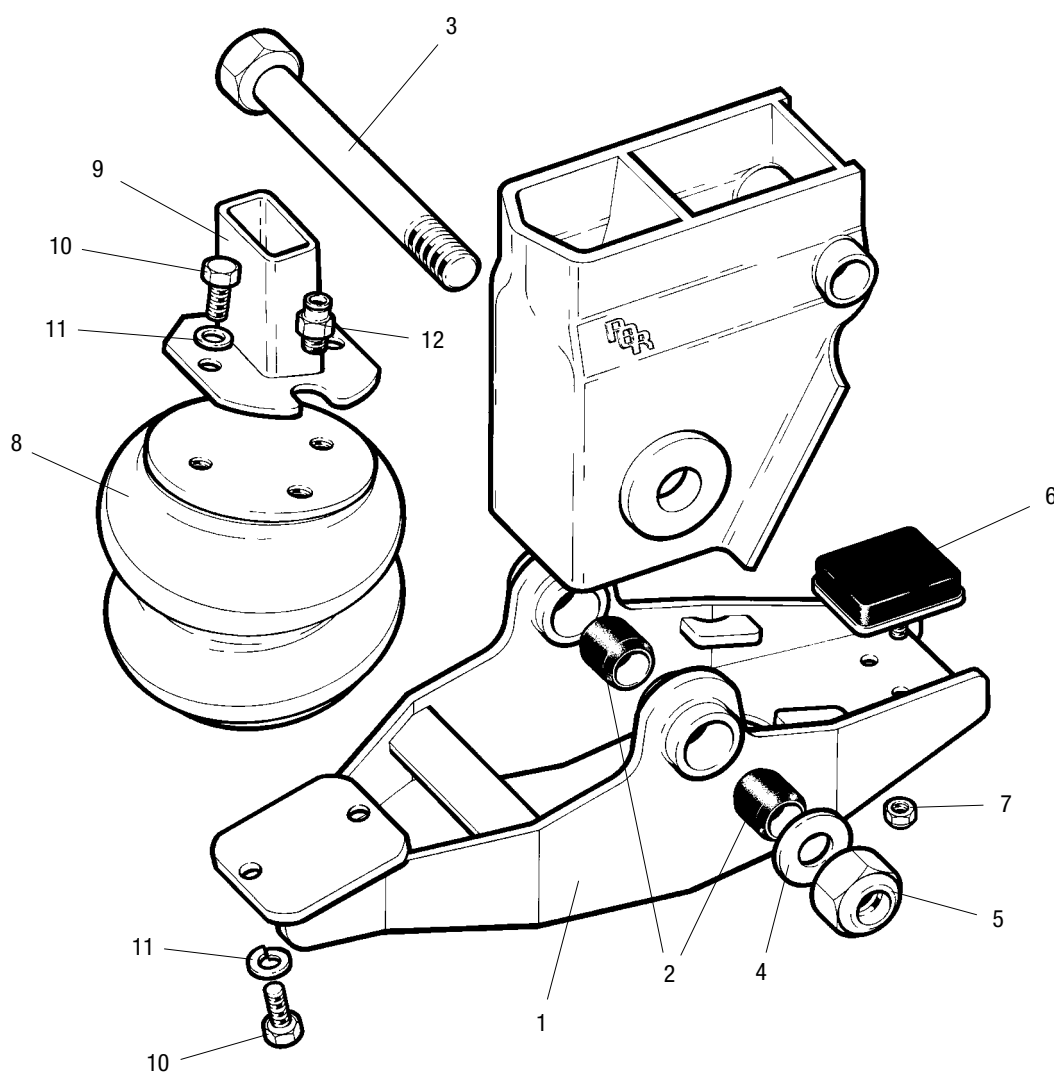
## Parts List FL11000S

| Item | Description                                | Quantity | Part Number   | Remarks                          |
|------|--|----------|---------------|----------------------------------|
| 1    | Frame Mounting Bracket                     | 2        | 21222716 - 25 | Untracked, 250 - 475 Ride Height |
| 2    | Airspring Pedestal Assembly                | 2        | 21215917 - 8  | 450 - 475 Ride Height            |
| 3    | Spring Seat                                | 2        | 21222262      |                                  |
| 4    | U Bolt Plate                               | 2        | 21222260      |                                  |
| 5    | Trailing Arm Assembly (C/W Bush)           | 2        | 21222118      |                                  |
| 5    | Trailing Arm Assembly (Meritor Italia)     | 2        | 21215600      |                                  |
| 6    | Pivot Bolt                                 | 2        | 21222234      | M30 x 200 GR 8.8 Olive           |
| 7    | U Bolt                                     | 4        | 21222326      | M24 x 315                        |
| 8    | Damper                                     | 2        | 21224745      | SP4 7T                           |
| 9    | Bolt                                       | 2        | 21222230      | M24 x 195 GR 8.8 Olive           |
| 10   | Bolt                                       | 2        | 21222231      | M24 x 250 GR 8.8 Olive           |
| 11   | Airspring                                  | 2        | 21215891      | 1T - 15 M9 / 1T 323.40           |
| 12   | Bolt                                       | 6        | 99526000      | M12 x 35 Zn                      |
| 13   | Washer                                     | 8        | 99510003      | M12 Spring Zn                    |
| 14   | U Bolt Nut                                 | 8        | 21222243      | M24 Special U Bolt Plain         |
| 15   | U Bolt Washer                              | 8        | 21222923      | M24 Special Hardened             |
| 15   | Pivot Nut                                  | 2        | 99527003      | M30 Nyloc GR 8.0 Zn              |
| 17   | Pivot Washer                               | 2        | 99513008      | M30 Plain                        |
| 18   | Damper Nut                                 | 4        | 99527004      | M24 Nyloc GR 8.0 Zn              |
| 19   | Damper Washer                              | 6        | 99513007      | M24 Plain                        |
| 20   | Nut  | 2        | 99512007      | M12                              |
| 22   | Nut  | 2        | 99528000      | M22                              |
| 23   | Washer                                     | 2        | 99510004      | M22 Spring Zn                    |
| 27   | Offset Support Plate (Meritor Italia)      | 2        | 21215794      | 0mm                              |
| 27A  | Offset Support Plate (Meritor Italia) (LH) | 1        | 21212481D     | 75mm                             |
| 27B  | Offset Support Plate (Meritor Italia) (RH) | 1        | 21212481S     | 75mm                             |
| 27C  | Offset Support Plate (Meritor UK)          | 2        | 21225420      | 0mm                              |
| 27D  | Offset Support Plate (Meritor UK) (LH)     | 1        | 21215795      | 75mm                             |
| 27E  | Offset Support Plate (Meritor UK) (RH)     | 1        | 21215746      | 75mm                             |
| 28   | Stud                                       | 4        | 21222255      | M16 Zn                           |
| 29   | Nut  | 4        | 99527002      | M16 Nyloc GR 8.0 Zn              |
| 30   | Washer                                     | 4        | 99513009      | M16 Zn                           |



an ArvinMeritor brand

# Flexair Axle Lift

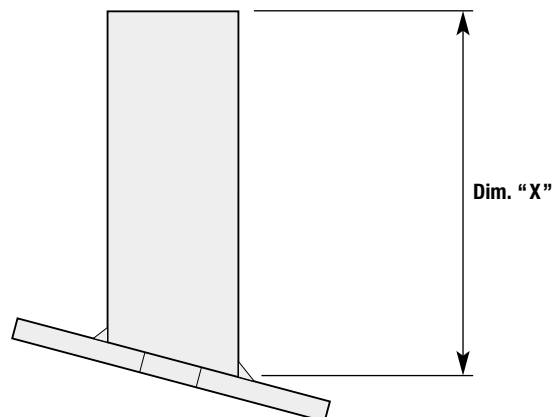


# Axle Lift Parts List

Suitable for use with FL9000M and FL11000 Suspensions

| Item | Description                | Quantity | Part Number | Remarks            |
|------|----------------------------|----------|-------------|--------------------|
| 1    | Lift Arm                   | 2        | 21223745    |                    |
| 2    | Pivot Bush                 | 4        | 21223742    |                    |
| 3    | Pivot Bolt                 | 2        | 21223744    | M30 x 290 Zn       |
| 4    | Pivot Washer               | 4        | 99513008    | M30 Zn             |
| 5    | Pivot Nut                  | 2        | 99527003    | M30 Zn             |
| 6    | Rubber Pad                 | 2        | 21223749    |                    |
| 7    | Nut                        | 4        | 21208424    | M8 x 1.25 Nyloc Zn |
| 8    | Airspring                  | 2        | 21221356    | Type 20-2          |
| 9    | Airspring Pedestal Assy    | 2        | See Table   |                    |
| 10   | Top/Lower Airspring Screw  | 8        | 99518001    | M10 Zn             |
| 11   | Top/Lower Airspring Washer | 8        | 99510006    | M10 Zn             |
| 12   | Stud Coupling              | 2        | 21224037    |                    |

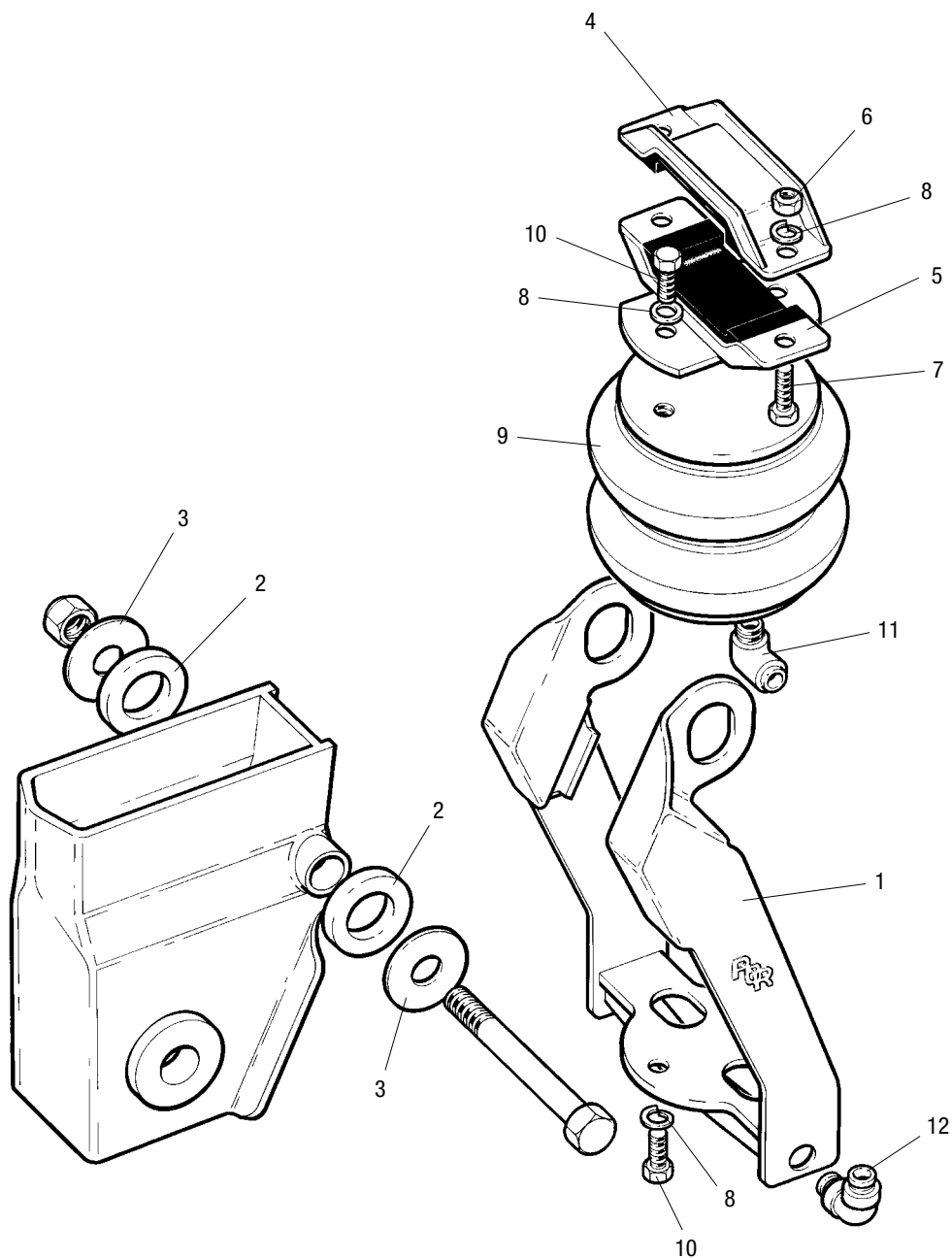
| AIR PEDESTAL HEIGHTS   |  |  |                        |  |  |          |
|------------------------|--|--|------------------------|--|--|----------|
| FL9000M<br>Ride Height | FL9000M<br>L/H Ped Assy<br>Part Number | FL9000M<br>R/H Ped Assy<br>Part Number | FL11000<br>Ride Height | FL11000<br>L/H Ped Assy<br>Part Number | FL11000<br>R/H Ped Assy<br>Part Number | Dim. "X" |
| -                      | -                                      | -                                      | 200                    | 21224017                               | 21223999                               | 43.0     |
| -                      | -                                      | -                                      | 225                    | 21224018                               | 21224000                               | 68.0     |
| -                      | -                                      | -                                      | 250                    | 21224019                               | 21224001                               | 93.0     |
| 228                    | 21224020                               | 21224002                               | 275                    | 21224020                               | 21224002                               | 118.0    |
| 253                    | 21224021                               | 21224003                               | 300                    | 21224021                               | 21224003                               | 143.0    |
| 278                    | 21224022                               | 21224004                               | 325                    | 21224022                               | 21224004                               | 168.0    |
| 303                    | 21224023                               | 21224005                               | 350                    | 21224023                               | 21224005                               | 193.0    |
| -                      | -                                      | -                                      | 375                    | 21224024                               | 21224006                               | 218.0    |
| -                      | -                                      | -                                      | 400                    | 21224025                               | 21224007                               | 243.0    |
| -                      | -                                      | -                                      | 425                    | 21224026                               | 21224008                               | 268.0    |
| -                      | -                                      | -                                      | 450                    | 21224027                               | 21224009                               | 293.0    |
| -                      | -                                      | -                                      | 475                    | 21224028                               | 21224010                               | 318.0    |





an ArvinMeritor brand

# Flexair Cradle Lift





# Dual Side Cradle Lift Parts List

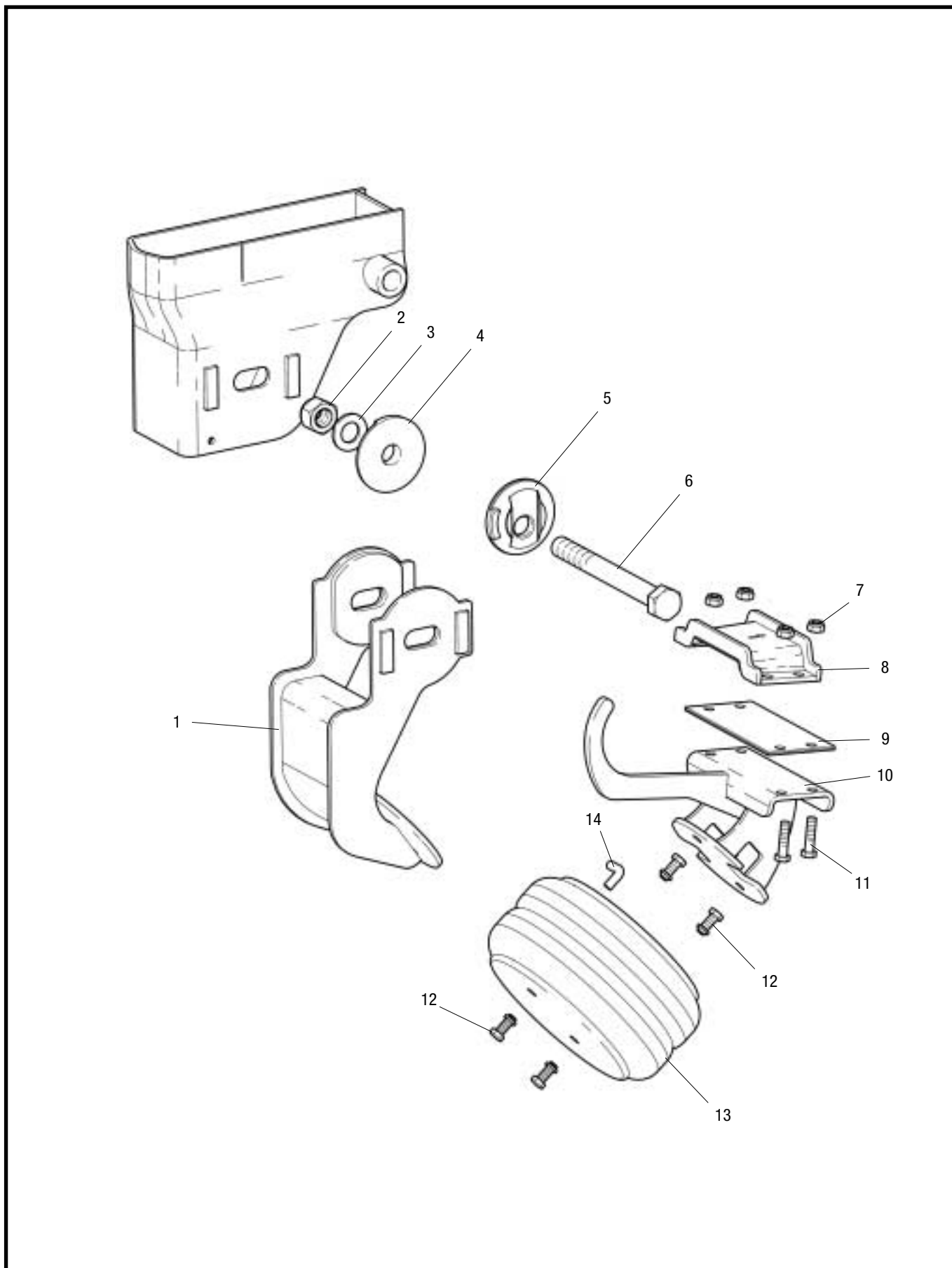
Suitable for use with FL9000 and FL9000L Suspensions

| Item | Description         | Quantity | Part Number | Remarks   |
|------|---------------------|----------|-------------|-----------|
| 1    | Cradle Assembly     | 2        | 21223183    |           |
| 2    | Spacer Tube         | 4        | 21223186    |           |
| 3    | M24 Form D Washer   | 4        | 99542001    |           |
| 4    | Clamp (Top Half)    | 2        | 21223173    |           |
| 5    | Clamp (Bottom Half) | 2        | 21223172    |           |
| 6    | Nut                 | 4        | 99527005    | M10 Nyloc |
| 7    | Screw               | 4        | 99518004    | M10 x 40  |
| 8    | Spring Washer       | 12       | 99510006    | M10       |
| 9    | Airspring           | 2        | 21222663    |           |
| 10   | Screw               | 8        | 99518001    | M10 x 25  |
| 11   | Stud Elbow Adaptor  | 2        | 21223053    |           |
| 12   | Elbow Adaptor       | 2        | 21223190    |           |



an ArvinMeritor brand

# Flexair NB Axle Lift (tracked only)



# Parts List

Suitable for use with Flexair NB tracked type suspensions

| Item | Description               | Quantity | Part Number | Remarks      |
|------|---------------------------|----------|-------------|--------------|
| 1    | Lift Welded Assembly R.H. | 1        | 21227251 RH |              |
| 1    | Lift Welded Assembly L.H. | 1        | 21227251 LH |              |
| 2    | Pivot Nut                 | 2        | 99527004    | M24          |
| 3    | Pivot Washer              | 2        | 99513007    | Ø24          |
| 4    | Tracking Bush             | 1        | 21225156    | Not supplied |
| 5    | Tracking Bush             | 1        | 21225157    | Not supplied |
| 6    | Pivot Bolt                | 1        | 21216189    | M24 x 225    |
| 7    | Nut                       | 8        | 99527005    | M10          |
| 8    | Top Clamp                 | 2        | 21227273    |              |
| 9    | Clamp Shim                | 2        | 21227274    |              |
| 10   | Clamp Welded Assembly     | 2        | 21227257    |              |
| 11   | Bolt                      | 8        | 99518004    | M10 x 40     |
| 12   | Screw                     | 8        | 99518001    | M10 x 25     |
| 13   | Airspring                 | 2        | 21222663    |              |
| 14   | Elbow Adaptor             | 2        | 21223190    |              |



an ArvinMeritor brand

# Warranty

A comprehensive network of original parts distributors and service stations operate throughout Europe; this is supported internationally with agents strategically placed around the world.

All Meritor replacement parts obtained through original parts distributors are covered by a one year warranty.

**For full warranty terms and conditions see 'Meritor Warranty Terms and Conditions' Publication No 4.84.1**

Meritor reserve the right to make changes in specifications shown herein or add improvements at any time without notice or obligation.

PARTS SHOWN IN THIS SPARES LIST ARE MADE FROM DRAWINGS IN WHICH COPYRIGHT SUBSISTS. THE MAKING OF COPIES OF ANY OF THESE PARTS IS PROHIBITED.

© Meritor HVS Limited



*The high quality assurance management systems applied by Meritor are endorsed with the awarding of ISO 9001, Lloyd's Register Quality Assurance.*



an **ArvinMeritor** brand



an **ArvinMeritor** brand



an **ArvinMeritor** brand

**Meritor HVS Limited**  
**Commercial Vehicle Systems**  
Rackery Lane, Llay  
Wrexham LL12 0PB  
U.K.  
Telephone: +44 (0)1978 852141  
Fax: +44 (0)1978 856173

**Meritor HVS (Mityr-Mory) S.A.**  
**Commercial Vehicle Systems**  
Z.I. du Moulin à Vent  
9 rue des Frères Lumière  
77290 Mityr-Mory  
France  
Telephone: +33 (0)1 64.27.44.61  
Fax: +33 (0)1 64.27.30.45

**Meritor HVS (Verona) s.r.l.**  
**Commercial Vehicle Systems**  
Via Monte Fiorino, 23  
37057 San Giovanni Lupatoto  
Verona  
Italy  
Telephone: +39 045 8750399  
Fax: +39 045 8750640 / 8750513

**Meritor HVS (Barcelona) S.A.**  
**Commercial Vehicle Systems**  
Ctra. Granollers - Sabadell Km. 13,3  
Poligono Argelagues  
08185 Lliçà de Vall  
Spain  
Telephone: +34 (9)3 843 95 68  
Fax: +34 (9)3 843 83 59

**ArvinMeritor Inc.**  
**World Headquarters**  
2135 West Maple Road  
Troy, Michigan 48084  
U.S.A.  
Telephone: +1 248 435 1000

**ArvinMeritor**  
**Commercial Vehicle Aftermarket AG**  
Neugutstrasse 89  
8600 Dübendorf  
Switzerland  
Telephone: +41 (0)1 824 8200  
Fax: +41 (0)1 824 8264

**ArvinMeritor**  
**Commercial Vehicle Systems**  
Postbus 255  
5700AG Helmond  
Churchillaan 204A  
5705BK Helmond  
Holland  
Telephone: +31 (0)492 535805  
Fax: +31 (0)492 547175

**ArvinMeritor South Africa**  
**Commercial Vehicle Systems**  
Telephone: +27 (0) 83 602 1603

**For further information contact**

**Meritor HVS Limited**  
**Commercial Vehicle Systems**  
Rackery Lane, Llay  
Wrexham LL12 0PB  
U.K.  
Telephone: +44 (0)1978 852141  
Fax: +44 (0)1978 856173

[www.arvinmeritor.com](http://www.arvinmeritor.com)

© Copyright 2001  
Meritor Automotive  
All rights Reserved

Publication 4.95.1

Descriptions and specifications were in effect at the time of publication and are subject to change without notice or liability. Meritor reserve the right to make design improvements, change or discontinue parts at any time.

**ArvinMeritor**™